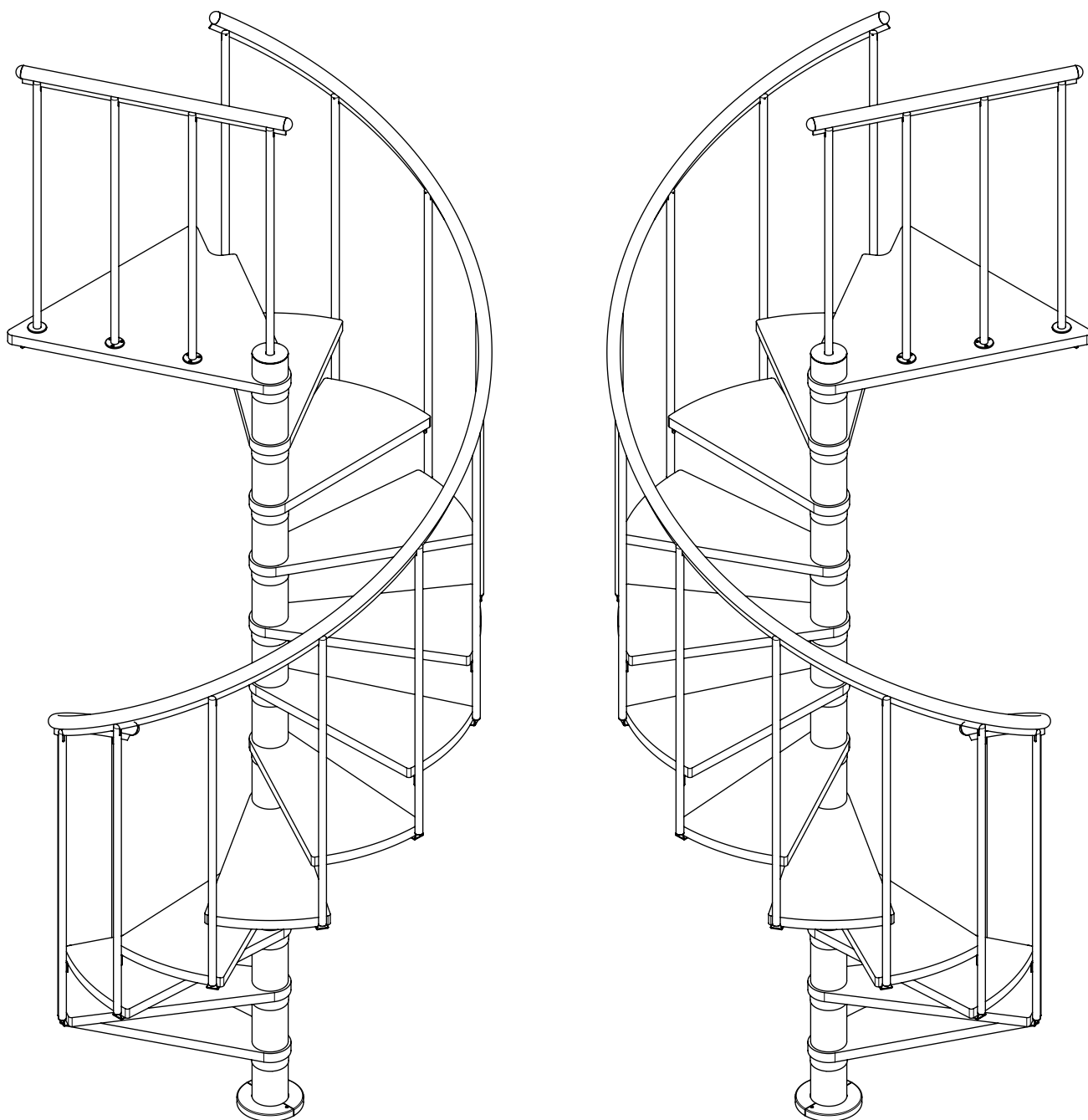
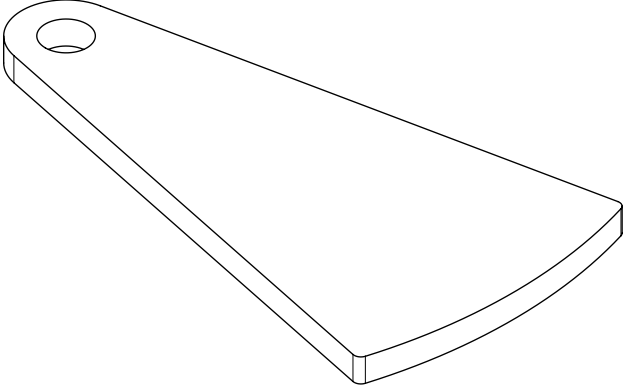

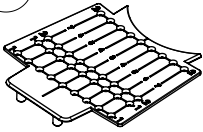
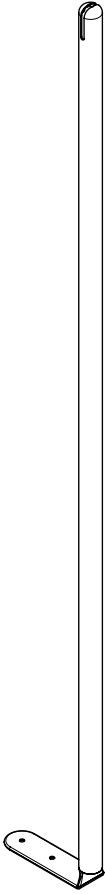


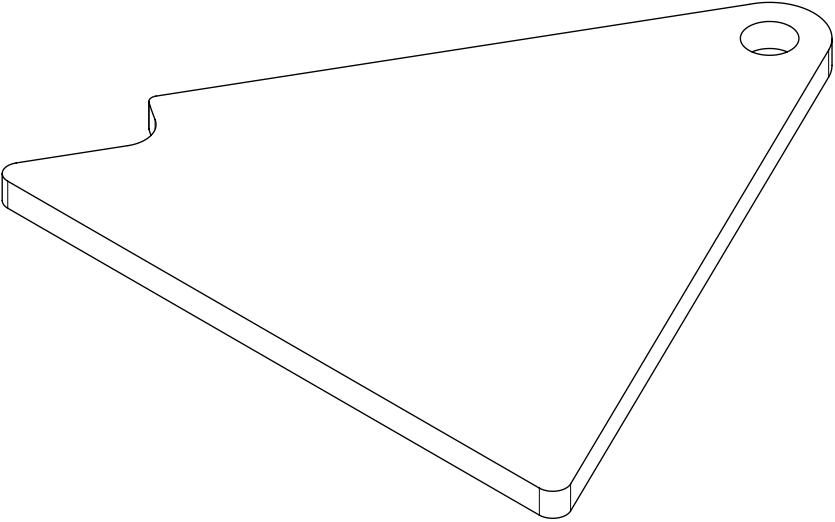



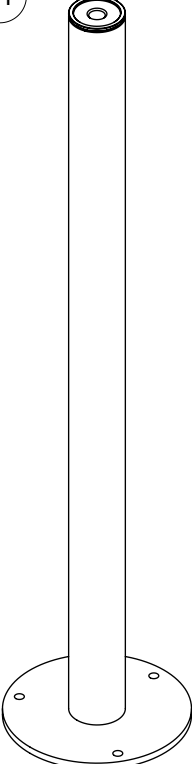


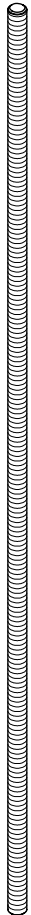
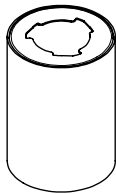
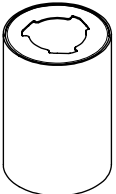
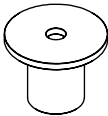
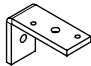
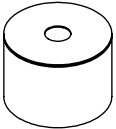
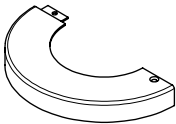

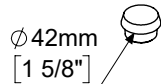
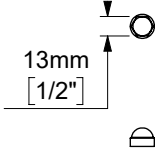
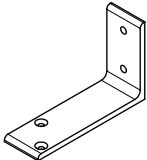
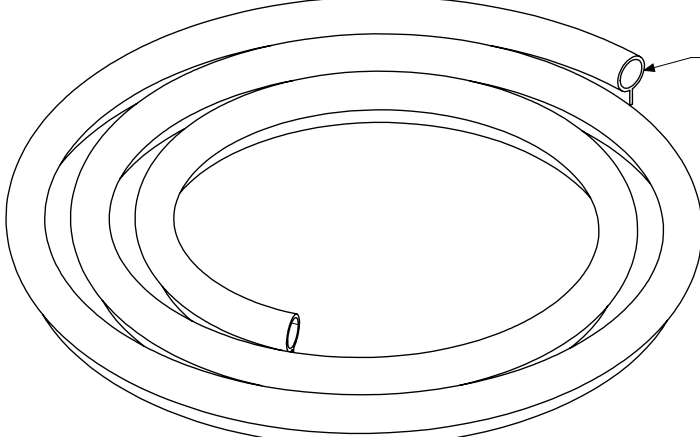
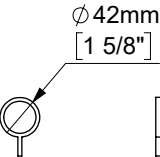
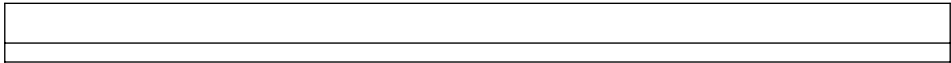

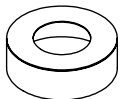


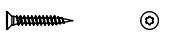

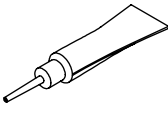




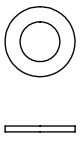








# MONTREAL

## Classic 2




<p>1</p> 	<p>3</p>  <p>K1-71231 RAL 9006 K1-71431 RAL 7016 K1-71631 RAL 9016</p> <p>4</p>  <p>K1-71030</p>	<p>5</p> 	<p>6</p>  <p>K1-71220 RAL 9006 K1-71420 RAL 7016 K1-71620 RAL 9016</p> <p>7</p>  <p>K1-71230 RAL 9006 K1-71430 RAL 7016 K1-71630 RAL 9016</p> <p>K1-32224 RAL 9006 K1-71421 RAL 7016 K1-32424 RAL 9016</p>		
<p>2</p> 					
<p>8</p>  <p>K2-71260 RAL 9006 K2-71460 RAL 7016 K2-71660 RAL 9016</p>	<p>9</p>  <p>K2-71250 RAL 9006 K2-71450 RAL 7016 K2-71650 RAL 9016</p>	<p>10</p>  <p>K2-71240 RAL 9006 K2-71440 RAL 7016 K2-71640 RAL 9016</p>	<p>11</p>  <p>K2-71010</p>	<p>12</p>  <p>K2-71012</p>	<p>13</p>  <p>K1-71000</p>

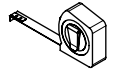
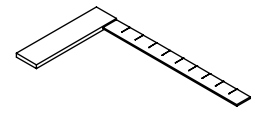
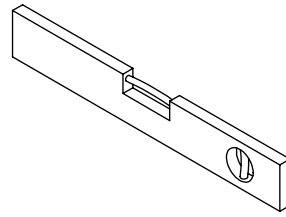
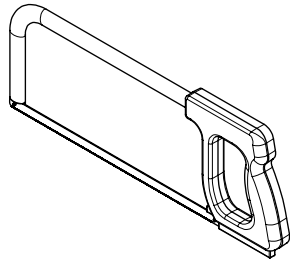
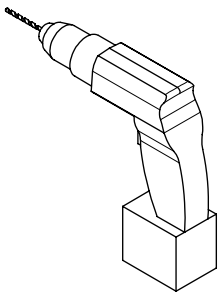
<p>14</p>  <p>K3-07023 M20 x 1170mm [46 1/16"]</p>	<p>15</p>  <p>161mm [6 5/16"]</p> <p>K2-71210 RAL 9006 K2-71410 RAL 7016 K2-71610 RAL 9016</p>	<p>16</p>  <p>169mm [6 5/8"]</p> <p>K2-71211 RAL 9006 K2-71411 RAL 7016 K2-71611 RAL 9016</p>	<p>17</p>  <p>K2-71005</p>	<p>18</p>  <p>K1-71201 RAL 9006 K1-71401 RAL 7016 K1-71601 RAL 9016</p>	<p>19</p>  <p>K2-71215 RAL 9006 K2-71415 RAL 7016 K2-71615 RAL 9016</p>
	<p>20</p>  <p>K2-71200 RAL 9006 K2-71400 RAL 7016 K2-71600 RAL 9016</p>	<p>21</p>  <p>Ø 42mm [1 5/8"]</p> <p>K1-71290 RAL 9006 K1-39010 RAL 7016 K1-29486 RAL 9016</p>	<p>22</p>  <p>Ø 42mm [1 5/8"]</p> <p>K1-39000</p>	<p>23</p>  <p>13mm [1/2"]</p> <p>K1-01013 RAL 9006 K1-01023 RAL 7016 K1-01003 RAL 9016</p>	<p>24</p>  <p>K1-19310 RAL 9006 K1-71402 RAL 7016 K1-71602 RAL 9016</p>
	<p>25</p>  <p>Ø 42mm [1 5/8"]</p> <p>K1-71295 5000mm - RAL 9006 [196 7/8"] K1-71297 7000mm - RAL 9006 [275 9/16"] K1-71495 5000mm - RAL 7016 [196 7/8"] K1-71497 7000mm - RAL 7016 [275 9/16"] K1-71695 5000mm - RAL 9016 [196 7/8"] K1-71697 7000mm - RAL 9016 [275 9/16"]</p>				
<p>26</p>  <p>Ø 42mm [1 5/8"]</p>  <p>K1-71291 1000mm - RAL 9006 [39 3/8"] K1-71299 1150mm - RAL 9006 [45 1/4"] K1-39110 1000mm - RAL 7016 [39 3/8"] K1-71499 1150mm - RAL 7016 [45 1/4"] K1-29410 1000mm - RAL 9016 [39 3/8"] K1-71699 1150mm - RAL 9016 [45 1/4"]</p>		<p>27</p>  <p>K1-71205 RAL 9006 K1-71405 RAL 7016 K1-71605 RAL 9016</p>			
<p>30</p>  <p>K1-71219 RAL 9006 K1-71419 RAL 7016 K1-71619 RAL 9016</p>					

<p>50</p>  <p>K3-06022 RAL 9006 K3-10226 RAL 7016 K3-10126 RAL 9016 Ø5 x 35 mm</p>	<p>51</p>  <p>K3-06199 RAL 9006 K3-10239 RAL 7016 K3-10139 RAL 9016 M5 x 20 mm</p>	<p>52</p>  <p>K3-90001</p>	<p>53</p>  <p>K3-04028 Ø8,4 mm</p>	<p>54</p>  <p>K3-08004 Ø10 x 60 mm</p>	<p>55</p>  <p>K3-06015 M8 x 70 mm</p>
<p>56</p>  <p>K3-03024 M20 mm</p>	<p>57</p>  <p>K3-04020 Ø20 mm</p>	<p>58</p>  <p>K3-08002 Ø8 x 40 mm</p>	<p>59</p>  <p>K3-02131 RAL 9006 K3-10231 RAL 7016 K3-10131 RAL 9016 M4 x 10 mm</p>	<p>60</p>  <p>K3-05013 RAL 9006 K3-10233 RAL 7016 K3-10133 RAL 9016 M6 x 6 mm</p>	<p>61</p>  <p>K3-05011 RAL 9006 K3-10230 RAL 7016 K3-10130 RAL 9016 M5 x 20 mm</p>
<p>62</p>  <p>K3-02081 M8 x 70 mm</p>	<p>63</p>  <p>R1-96710 M20 mm</p>	<p>69</p>  <p>R1-63272 Ø6 x 25 mm</p>	<p>71</p>  <p>K3-06016 Ø6 x 40 mm</p>		

40 **OPTION**



71091-AL



Torx 25



2,5mm

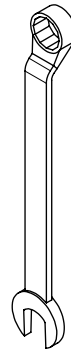


3mm



4mm

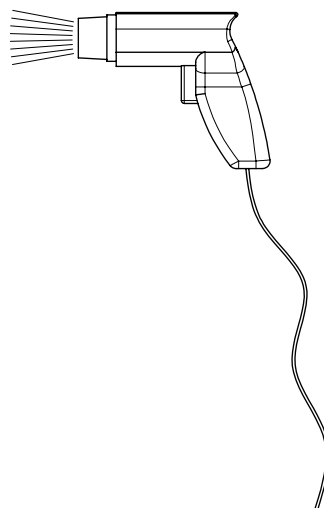
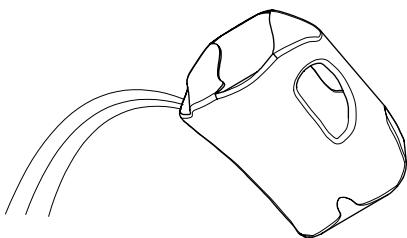
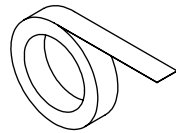
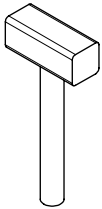
× 2

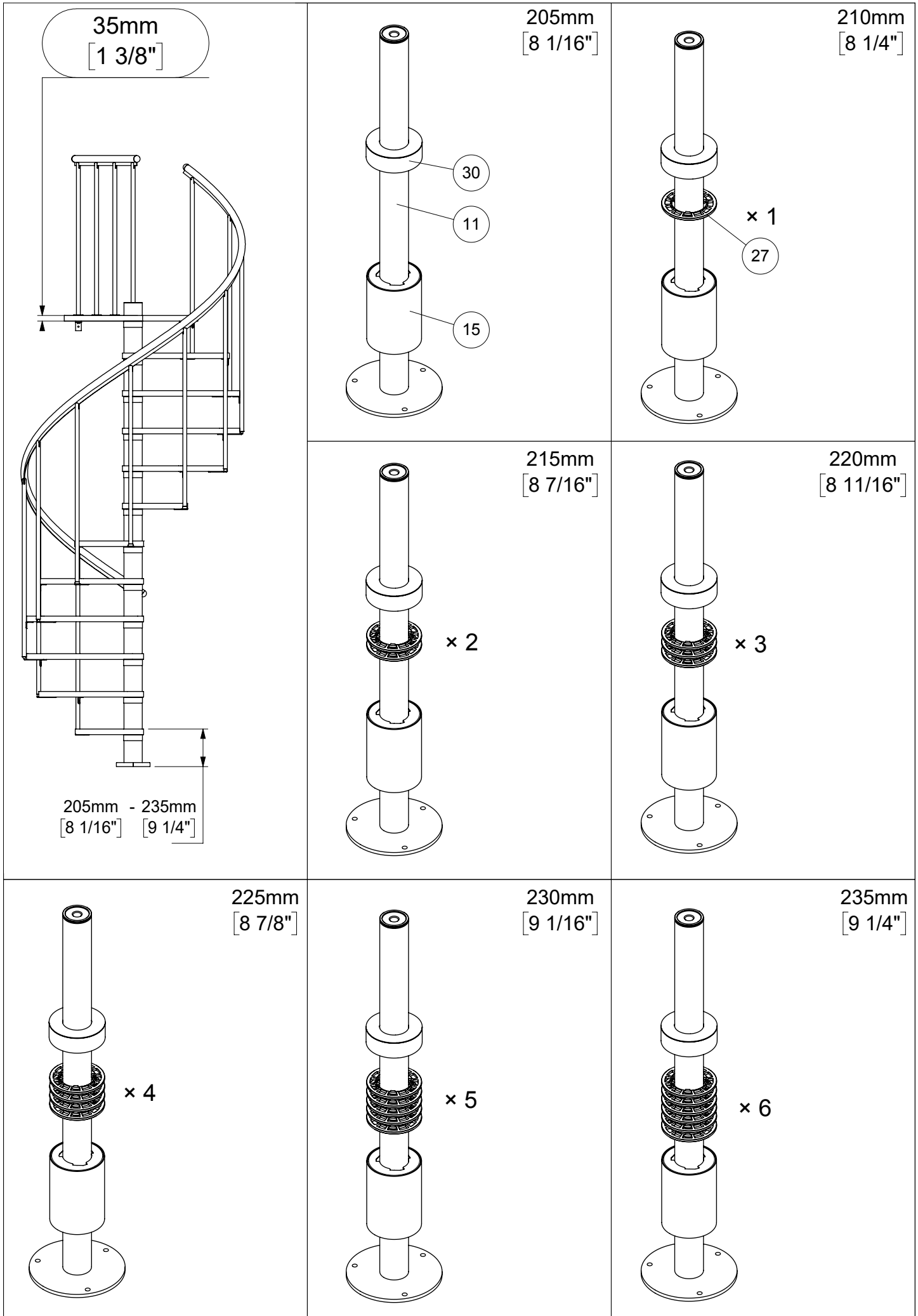


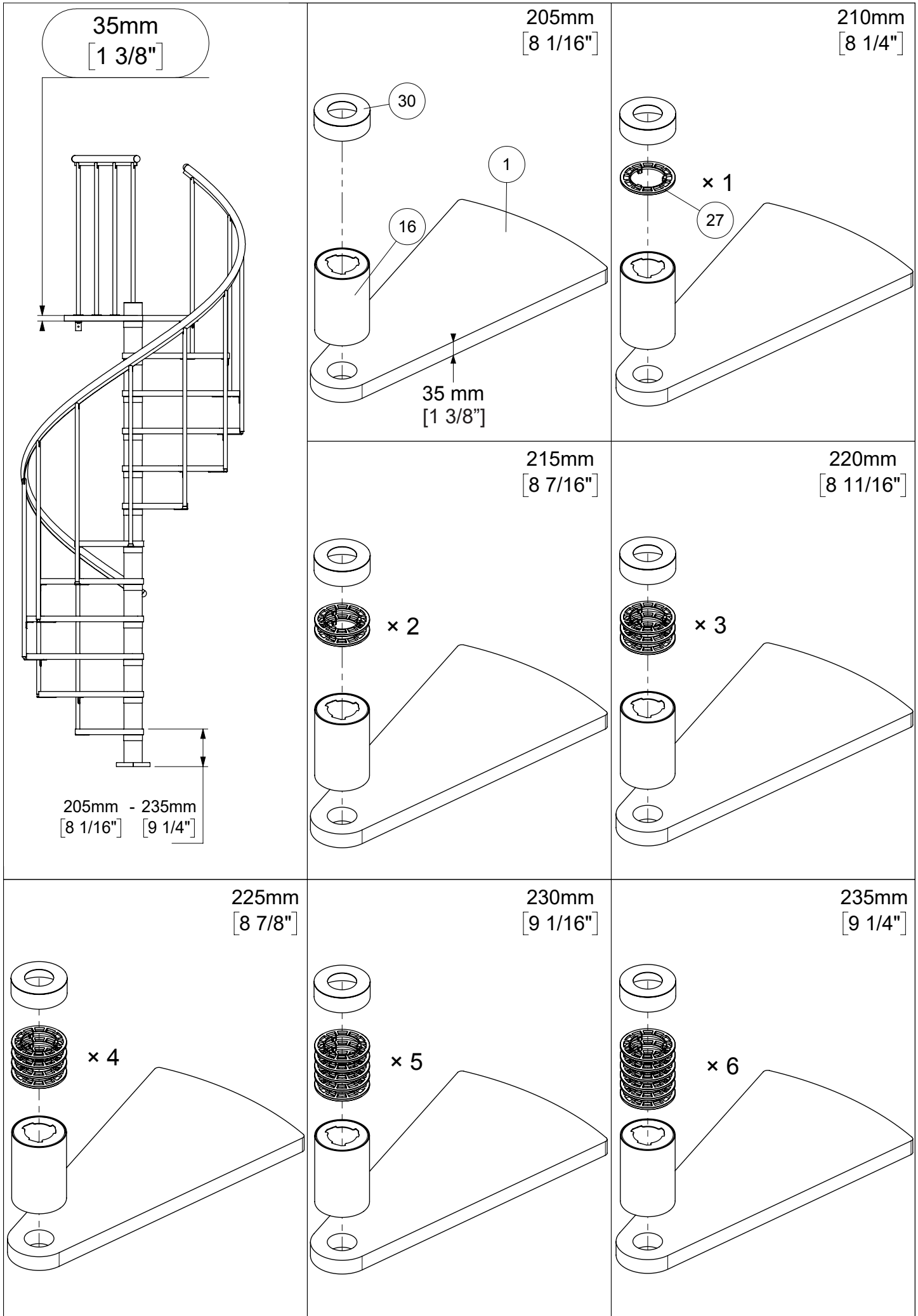
30mm



13mm



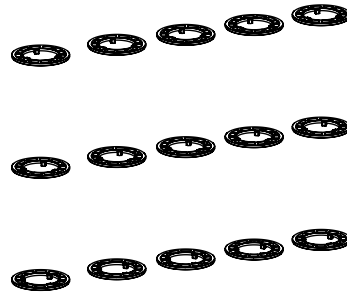




35 mm  
[1 3/8"]

T	11	
12	1	

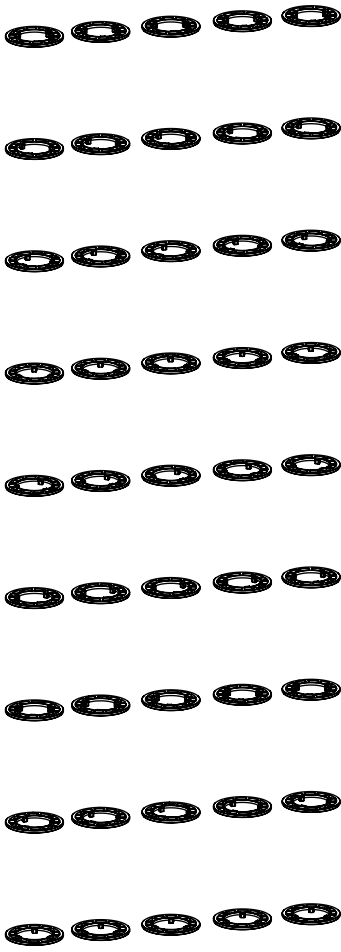
N  
0 ... 6 st (pcs)



12

T

N  
0 ... 6 st (pcs)



P  
+1  
st (pcs)



35 mm  
[1 3/8"]

109 1/4	2775	5	3
109 7/16	2780	5	4
109 5/8	2785	5	5
109 13/16	2790	5	6
110 1/16	2795	5	7
110 1/4	2800	5	8
110 7/16	2805	5	9
110 5/8	2810	5	10
110 13/16	2815	5	11

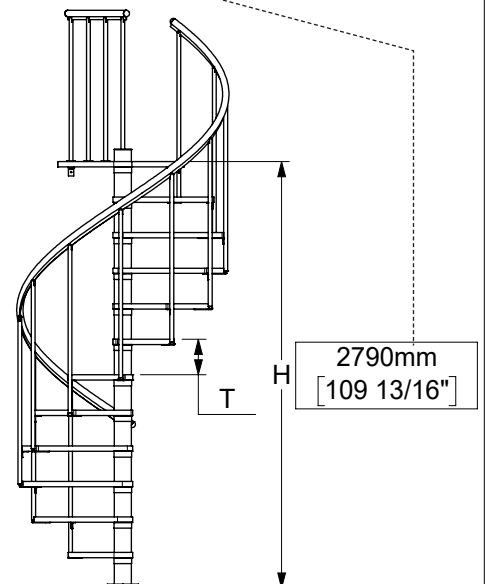
N x T

5 st (pcs) x 12  
= 60 st (pcs)

P

+6 st (pcs)

109 1/4	2775	5	3
109 7/16	2780	5	4
109 5/8	2785	5	5
109 13/16	2790	5	6
110 1/16	2795	5	7
110 1/4	2800	5	8
110 7/16	2805	5	9
110 5/8	2810	5	10
110 13/16	2815	5	11



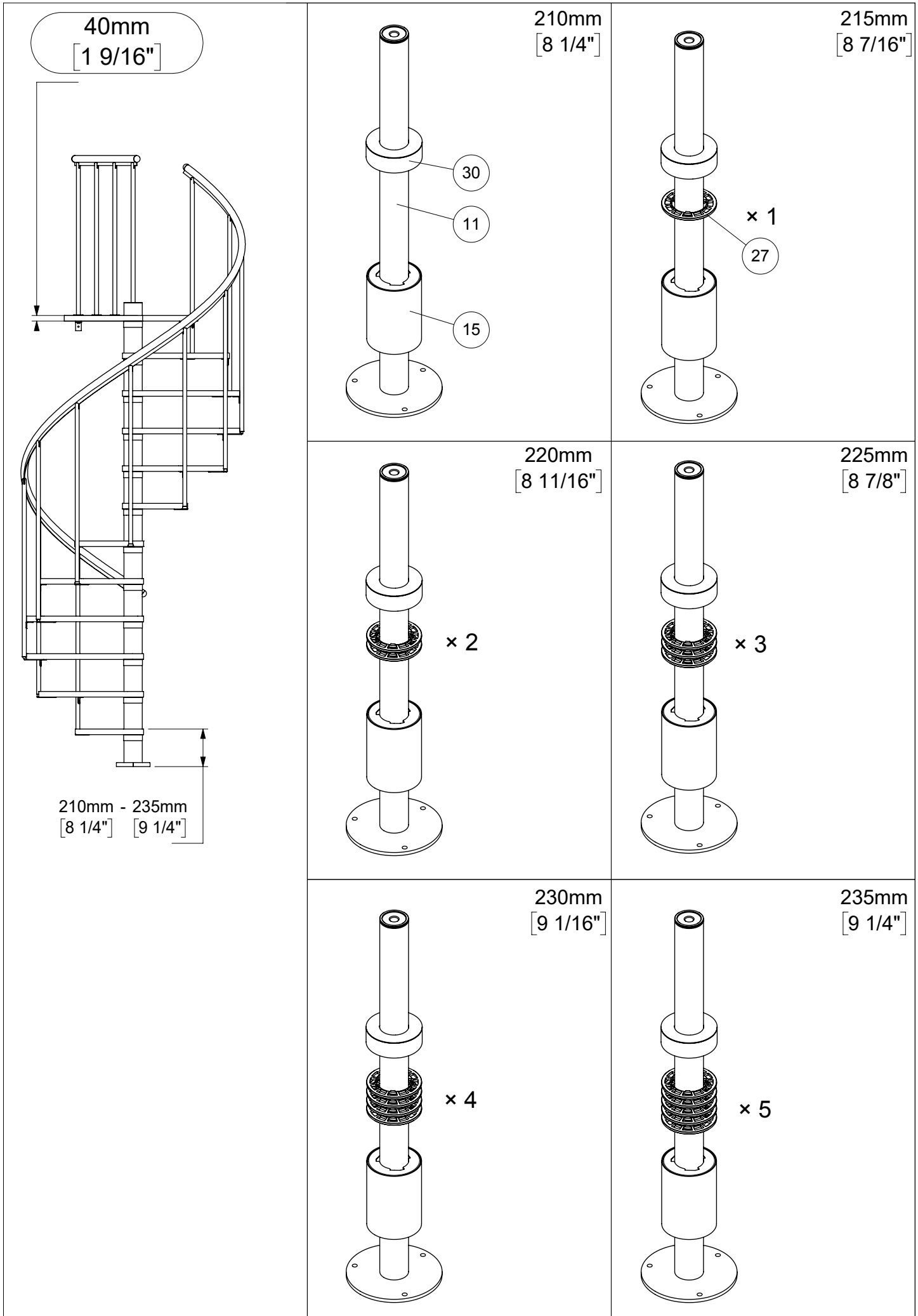
2790mm  
[109 13/16"]

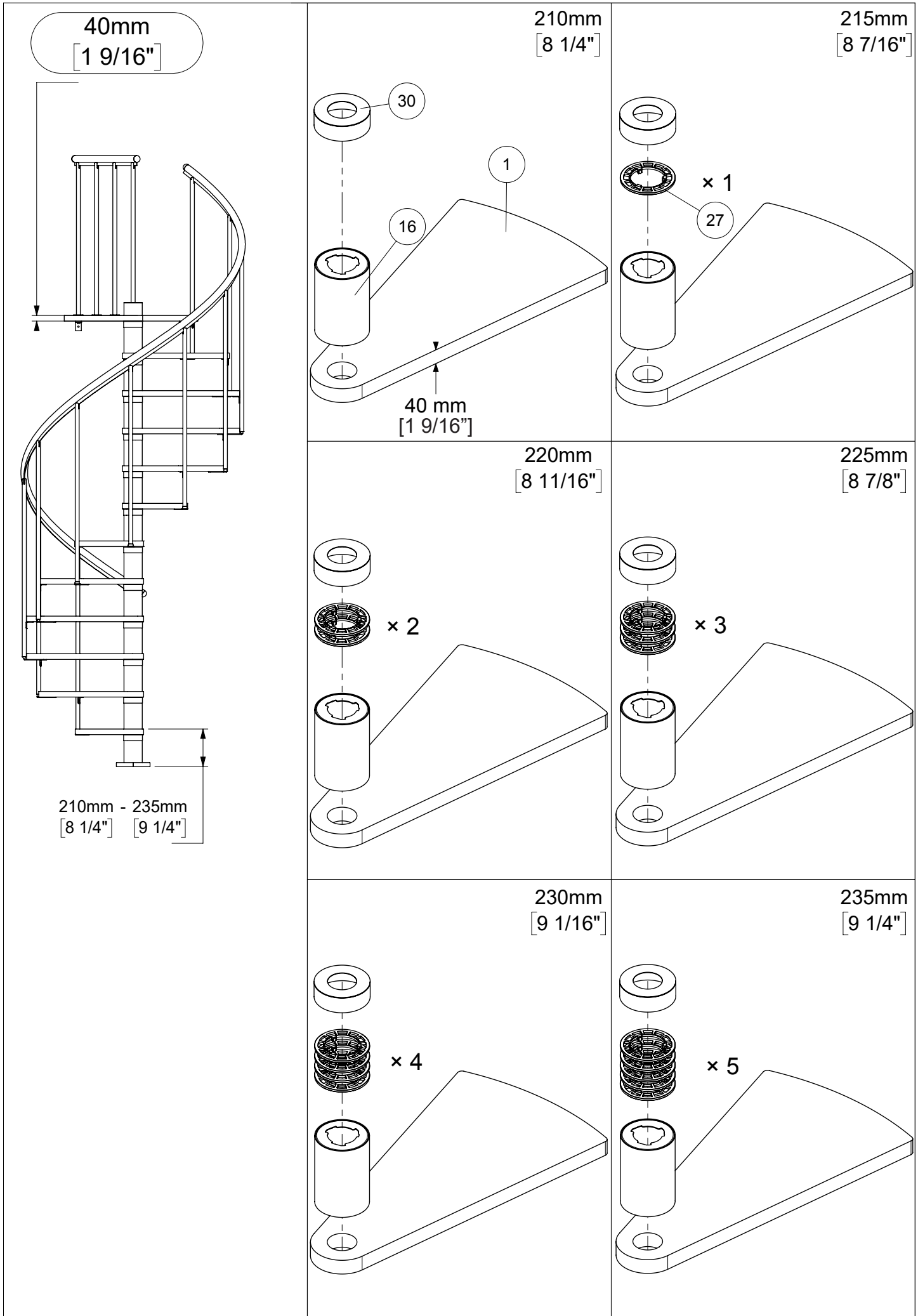


35 mm  
[1 3/8"]

T 9 10				T 10 11				T 11 12							
H		N		H		N		H		N		H		N	
"	mm	st	pcs	"	mm	st	pcs	"	mm	st	pcs	"	mm	st	pcs
80 11/16	2050	0	0	86 13/16	2205	3	1	88 3/4	2255	0	0	95 1/2	2425	3	1
80 7/8	2055	0	1	87	2210	3	2	89	2260	0	1	95 11/16	2430	3	2
81 1/8	2060	0	2	87 3/16	2215	3	3	89 3/16	2265	0	2	95 7/8	2435	3	3
81 5/16	2065	0	3	87 3/8	2220	3	4	89 3/8	2270	0	3	96 1/16	2440	3	4
81 1/2	2070	0	4	87 5/8	2225	3	5	89 9/16	2275	0	4	96 1/4	2445	3	5
81 11/16	2075	0	5	87 13/16	2230	3	6	89 3/4	2280	0	5	96 7/16	2450	3	6
81 7/8	2080	0	6	88	2235	3	7	89 15/16	2285	0	6	96 5/8	2455	3	7
82 1/16	2085	0	7	88 3/16	2240	3	8	90 3/16	2290	0	7	96 1/4	2460	3	8
82 5/16	2090	0	8	88 3/8	2245	3	9	90 3/8	2295	0	8	97 1/16	2465	3	9
82 1/2	2095	0	9	88 9/16	2250	4	0	90 9/16	2300	0	9	97 1/4	2470	3	10
82 11/16	2100	1	0	88 3/4	2255	4	1	90 3/4	2305	0	10	97 7/16	2475	4	0
82 7/8	2105	1	1	89	2260	4	2	90 15/16	2310	1	0	97 5/8	2480	4	1
83 1/16	2110	1	2	89 3/16	2265	4	3	91 1/8	2315	1	1	97 13/16	2485	4	2
83 1/4	2115	1	3	89 3/8	2270	4	4	91 5/16	2320	1	2	98 1/16	2490	4	3
83 7/16	2120	1	4	89 9/16	2275	4	5	91 9/16	2325	1	3	98 1/4	2495	4	4
83 11/16	2125	1	5	89 3/4	2280	4	6	91 3/4	2330	1	4	98 7/16	2500	4	5
83 7/8	2130	1	6	89 15/16	2285	4	7	91 15/16	2335	1	5	98 5/8	2505	4	6
84 1/16	2135	1	7	90 3/16	2290	4	8	92 1/8	2340	1	6	98 13/16	2510	4	7
84 1/4	2140	1	8	90 3/8	2295	4	9	92 5/16	2345	1	7	99	2515	4	8
84 7/16	2145	1	9	90 9/16	2300	5	0	92 1/2	2350	1	8	99 3/16	2520	4	9
84 5/8	2150	2	0	90 3/4	2305	5	1	92 11/16	2355	1	9	99 7/16	2525	4	10
84 13/16	2155	2	1	90 15/16	2310	5	2	92 15/16	2360	1	10	99 5/8	2530	5	0
85 1/16	2160	2	2	91 1/8	2315	5	3	93 1/8	2365	2	0	99 13/16	2535	5	1
85 1/4	2165	2	3	91 5/16	2320	5	4	93 5/16	2370	2	1	100	2540	5	2
85 7/16	2170	2	4	91 9/16	2325	5	5	93 1/2	2375	2	2	100 3/16	2545	5	3
85 5/8	2175	2	5	91 3/4	2330	5	6	93 11/16	2380	2	3	100 3/8	2550	5	4
85 13/16	2180	2	6	91 15/16	2335	5	7	93 7/8	2385	2	4	100 9/16	2555	5	5
86	2185	2	7	92 1/8	2340	5	8	94 1/8	2390	2	5	100 13/16	2560	5	6
86 1/4	2190	2	8	92 5/16	2345	5	9	94 1/4	2395	2	6	101	2565	5	7
86 7/16	2195	2	9	92 1/2	2350	6	0	94 1/2	2400	2	7	101 3/16	2570	5	8
86 5/8	2200	3	0					94 11/16	2405	2	8	101 3/8	2575	5	9
								94 7/8	2410	2	9	101 9/16	2580	5	10
								95 1/16	2415	2	10	101 3/4	2585	6	0
								95 1/4	2420	3	0				
												103 3/8	2625	2	9
												103 9/16	2630	2	10
												103 3/4	2635	2	11
												103 15/16	2640	3	0
												102 3/4	2610	2	6
												102 15/16	2615	2	7
												103 1/8	2620	2	8
												110 5/8	2810	5	10
												110 13/16	2815	5	11
												111	2820	6	0
												110 1/16	2795	5	7
												110 1/4	2800	5	8
												110 7/16	2805	5	9
												110 5/8	2810	5	10
												110 13/16	2815	5	11
												111	2820	6	0



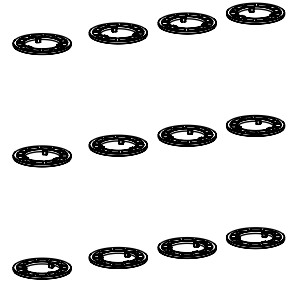




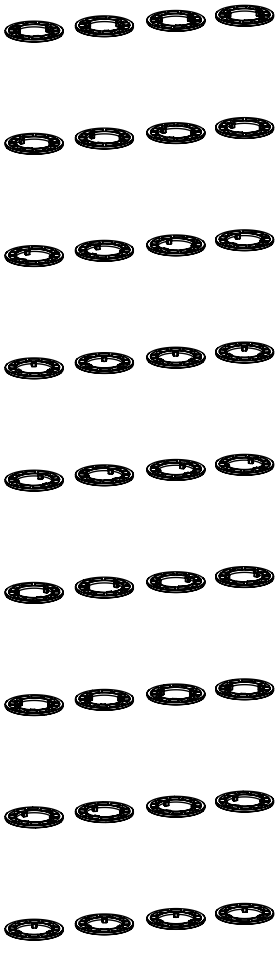
40 mm  
[1 9/16"]

T	11	
12	1	

N  
0 ... 5 st (pcs)



N  
0 ... 5 st (pcs)



P  
+1  
st (pcs)



40 mm  
[1 9/16"]

109 1/4	2775	4	3
109 7/16	2780	4	4
109 5/8	2785	4	5
<b>109 13/16</b>	<b>2790</b>	<b>4</b>	<b>6</b>
110 1/16	2795	4	7
110 1/4	2800	4	8
110 7/16	2805	4	9
110 5/8	2810	4	10

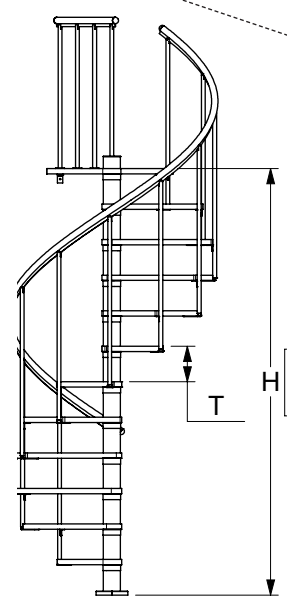
N x T

4 st (pcs) x 12  
= 48 st (pcs)

P







+ 6 st (pcs)

109 1/4	2775	4	3
109 7/16	2780	4	4
109 5/8	2785	4	5
<b>109 13/16</b>	<b>2790</b>	<b>4</b>	<b>6</b>
110 1/16	2795	4	7
110 1/4	2800	4	8
110 7/16	2805	4	9
110 5/8	2810	4	10
110 13/16	2815	4	11



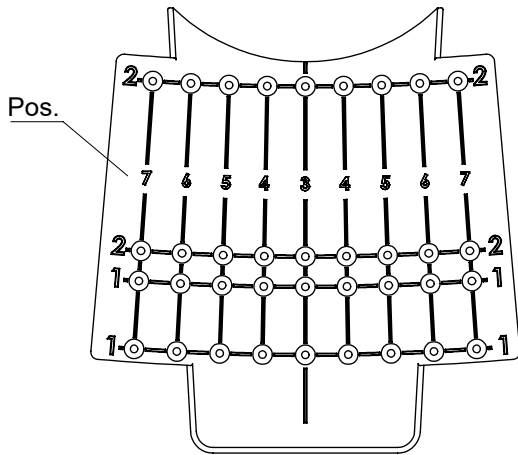
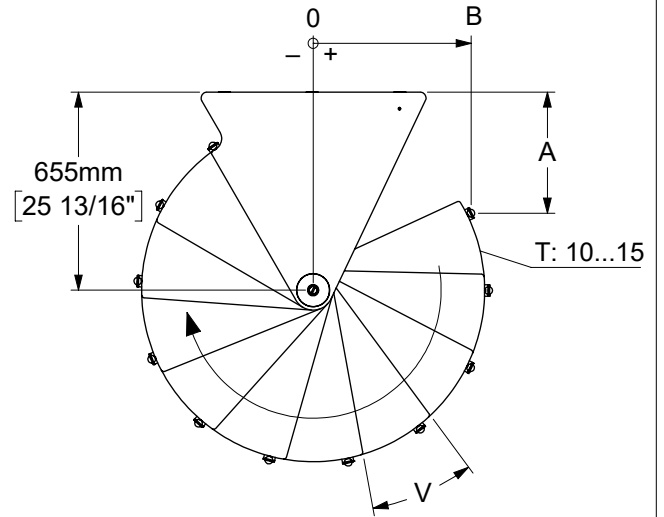
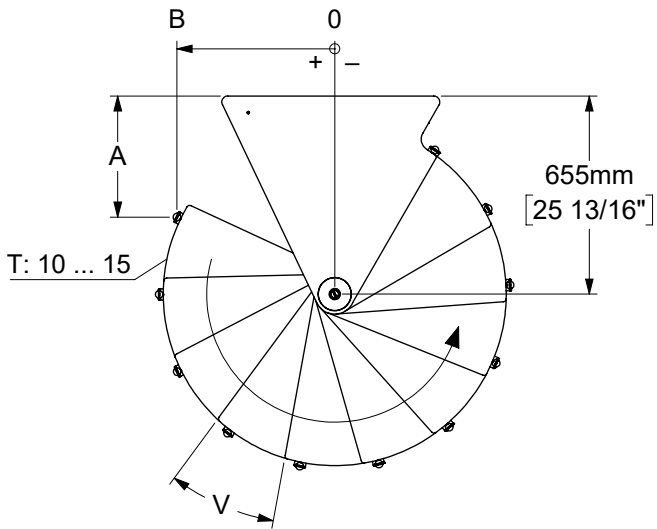
2790mm  
[109 13/16"]

40 mm  
[1 9/16"]

T 9 				T 10 				T 11 															
10 				11 				12 															
H	H	N	P	H	H	N	P	H	H	N	P	H	H	N	P	H	H	N	P				
"	mm	st	st	"	mm	st	st	"	mm	st	st	"	mm	st	st	"	mm	st	st				
82 11/16	2100	0	0	88 3/4	2255	3	1	90 15/16	2310	0	0	97 5/8	2480	3	1	99 3/16	2520	0	0	106 1/2	2705	3	1
82 7/8	2105	0	1	89	2260	3	2	91 1/8	2315	0	1	97 13/16	2485	3	2	99 7/16	2525	0	1	106 11/16	2710	3	2
83 1/16	2110	0	2	89 3/16	2265	3	3	91 5/16	2320	0	2	98 1/16	2490	3	3	99 5/8	2530	0	2	106 7/8	2715	3	3
83 1/4	2115	0	3	89 6/16	2270	3	4	91 9/16	2325	0	3	98 1/4	2495	3	4	99 13/16	2535	0	3	107 1/16	2720	3	4
83 7/16	2120	0	4	89 9/16	2275	3	5	91 3/4	2330	0	4	98 7/16	2500	3	5	100	2540	0	4	107 5/16	2725	3	5
83 11/16	2125	0	5	89 3/4	2280	3	6	91 15/16	2335	0	5	98 5/8	2505	3	6	100 3/16	2545	0	5	107 1/2	2730	3	6
83 7/8	2130	0	6	89 15/16	2285	3	7	92 1/8	2340	0	6	98 13/16	2510	3	7	100 3/8	2550	0	6	107 11/16	2735	3	7
84 1/16	2135	0	7	90 3/16	2290	3	8	92 5/16	2345	0	7	99	2515	3	8	100 9/16	2555	0	7	107 7/8	2740	3	8
84 1/4	2140	0	8	90 6/16	2295	3	9	92 1/2	2350	0	8	99 3/16	2520	3	9	100 13/16	2560	0	8	108 1/16	2745	3	9
84 7/16	2145	0	9	90 9/16	2300	4	0	92 11/16	2355	0	9	99 7/16	2525	3	10	101	2565	0	9	108 1/4	2750	3	10
84 5/8	2150	1	0	90 3/4	2305	4	1	92 15/16	2360	0	10	99 5/8	2530	4	0	101 3/16	2570	0	10	108 7/16	2755	3	11
84 13/16	2155	1	1	90 15/16	2310	4	2	93 1/8	2365	1	0	99 13/16	2535	4	1	101 3/8	2575	0	11	108 11/16	2760	4	0
85 1/16	2160	1	2	91 1/8	2315	4	3	93 5/16	2370	1	1	100	2540	4	2	101 9/16	2580	1	0	108 7/8	2765	4	1
85 1/4	2165	1	3	91 5/16	2320	4	4	93 1/2	2375	1	2	100 3/16	2545	4	3	101 3/4	2585	1	1	109 1/16	2770	4	2
85 7/16	2170	1	4	91 9/16	2325	4	5	93 11/16	2380	1	3	100 3/8	2550	4	4	101 15/16	2590	1	2	109 1/4	2775	4	3
85 5/8	2175	1	5	91 3/4	2330	4	6	93 7/8	2385	1	4	100 9/16	2555	4	5	102 3/16	2595	1	3	109 7/16	2780	4	4
85 13/16	2180	1	6	91 15/16	2335	4	7	94 1/8	2390	1	5	100 13/16	2560	4	6	102 3/8	2600	1	4	109 5/8	2785	4	5
86	2185	1	7	92 1/8	2340	4	8	94 5/16	2395	1	6	101	2565	4	7	102 9/16	2605	1	5	109 13/16	2790	4	6
86 1/4	2190	1	8	92 5/16	2345	4	9	94 1/2	2400	1	7	101 3/16	2570	4	8	102 3/4	2610	1	6	110 1/16	2795	4	7
86 7/16	2195	1	9	92 1/2	2350	5	0	94 11/16	2405	1	8	101 3/8	2575	4	9	102 15/16	2615	1	7	110 1/4	2800	4	8
86 5/8	2200	2	0					94 7/8	2410	1	9	101 9/16	2580	4	10	103 1/8	2620	1	8	110 7/16	2805	4	9
86 13/16	2205	2	1					95 1/16	2415	1	10	101 3/4	2585	5	0	103 3/8	2625	1	9	110 5/8	2810	4	10
87	2210	2	2					95 1/4	2420	2	0					103 9/16	2630	1	10	110 13/16	2815	4	11
87 3/16	2215	2	3					95 1/2	2425	2	1					103 3/4	2635	1	11	111	2820	5	0
87 6/16	2220	2	4					95 11/16	2430	2	2					103 15/16	2640	2	0				
87 5/8	2225	2	5					95 7/8	2435	2	3					104 1/8	2645	2	1				
87 13/16	2230	2	6					96 1/16	2440	2	4					104 5/16	2650	2	2				
88	2235	2	7					96 1/4	2445	2	5					104 1/2	2655	2	3				
88 3/16	2240	2	8					96 7/16	2450	2	6					104 3/4	2660	2	4				
88 3/8	2245	2	9					96 5/8	2455	2	7					104 15/16	2665	2	5				
88 9/16	2250	3	0					96 7/8	2460	2	8					105 1/8	2670	2	6				
								97 1/16	2465	2	9					105 5/16	2675	2	7				
								97 1/4	2470	2	10					105 1/2	2680	2	8				
								97 7/16	2475	3	0					105 11/16	2685	2	9				
																105 7/8	2690	2	10				
																106 1/8	2695	2	11				
																106 5/16	2700	3	0				



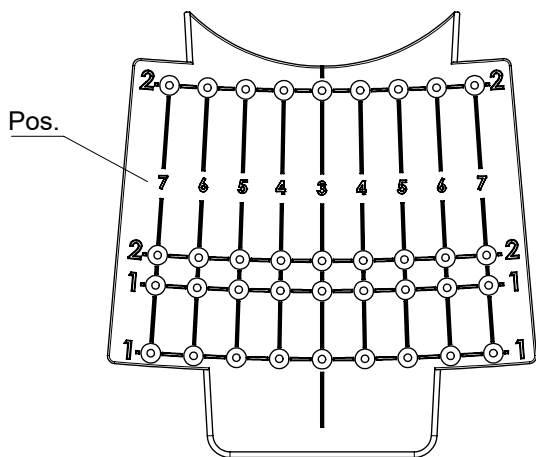
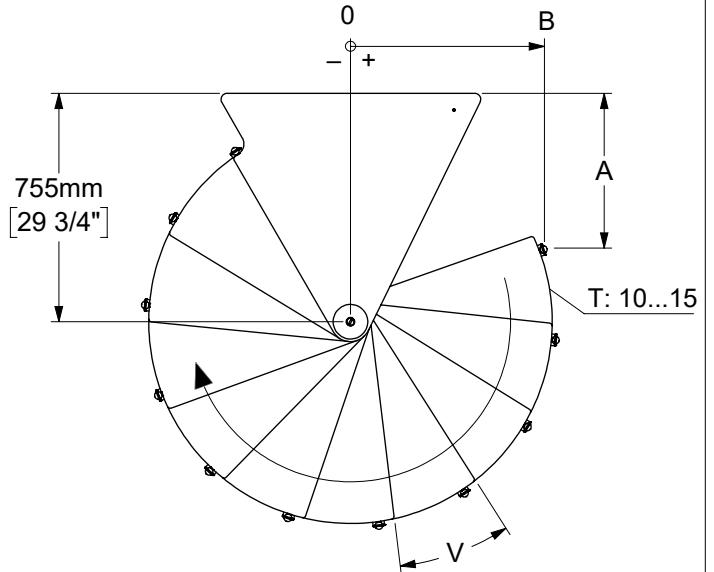
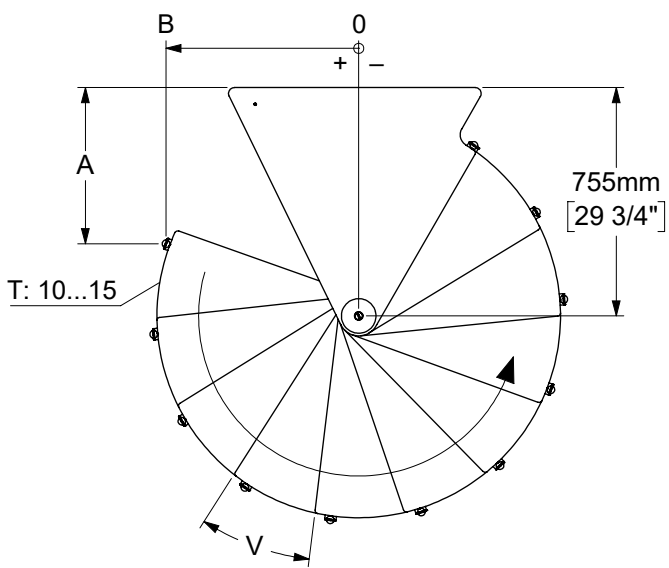
∅ 120 cm [47"]



T	Pos.	V °	A		B	
			"	mm	"	mm
10	7	21	41 3/16	1046	16 7/8	429
	6	24	34 1/16	865	21 5/16	541
	5	26	25 13/16	656	22 7/8	580
	4	28	17 9/16	447	21 5/16	542
	3	31	10 7/16	265	16 15/16	431
11	7	21	33 15/16	862	21 3/8	542
	6	24	24 3/4	629	22 7/8	580
	5	26	15 3/4	400	20 9/16	522
	4	28	8 7/16	214	14 7/8	377
	3	31	3 15/16	100	6 11/16	170
12	7	21	25 9/16	650	22 7/8	580
	6	24	15 3/4	398	20 1/2	520
	5	26	7 3/4	197	14	356
	4	28	3 7/16	87	4 3/4	121
	3	31	3 9/16	91	-5 7/16	-138
13	7	21	17 1/4	438	21 3/16	539
	6	24	8 1/4	209	14 11/16	373
	5	26	3 3/8	86	4 5/8	118
	4	28	3 7/8	98	-6 7/16	-164
	3	31	9 1/2	241	-16 1/16	-408
14	7	21	10 1/8	256	16 1/2	422
	6	24	3 13/16	97	6 3/8	161
	5	26	3 3/4	93	-5 11/16	-144
	4	28	9 1/2	244	-16 1/8	-410
	3	31	20	509	-22 1/8	-562
15	7	21	5 1/8	130	9 6/8	247
	6	24	3 1/8	80	-3 1/16	-77
	5	26	8 7/16	214	-14 13/16	-377
	4	28	19 1/4	489	-21 7/8	-556
	3	31	32 3/16	817	-21 15/16	-558

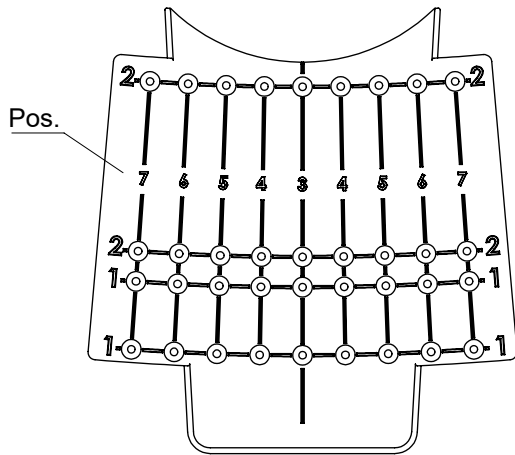
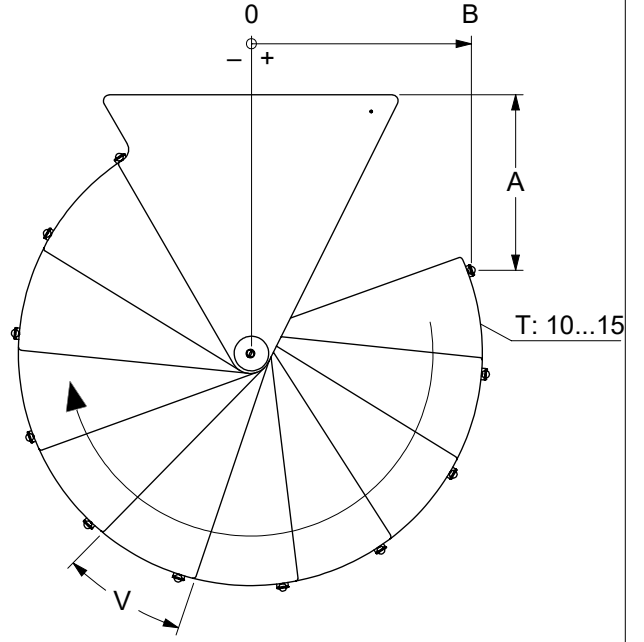
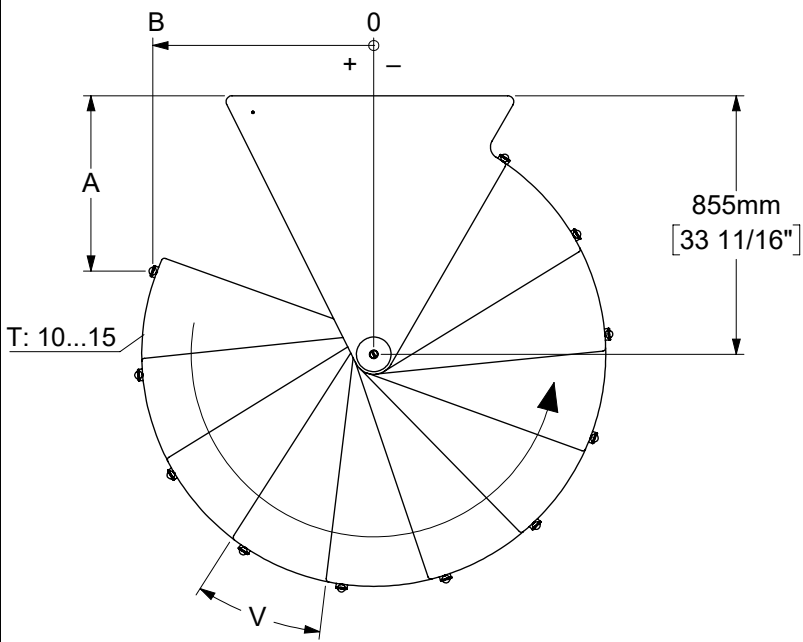


∅ 140 cm [55"]

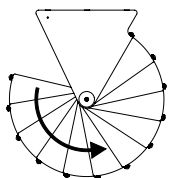
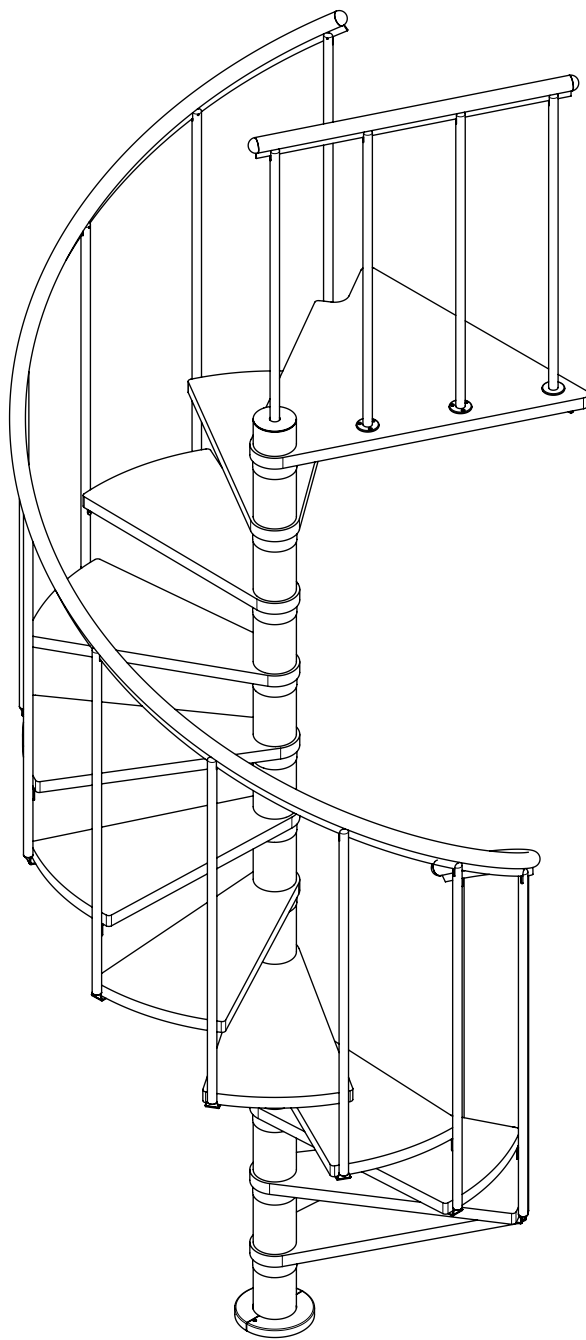
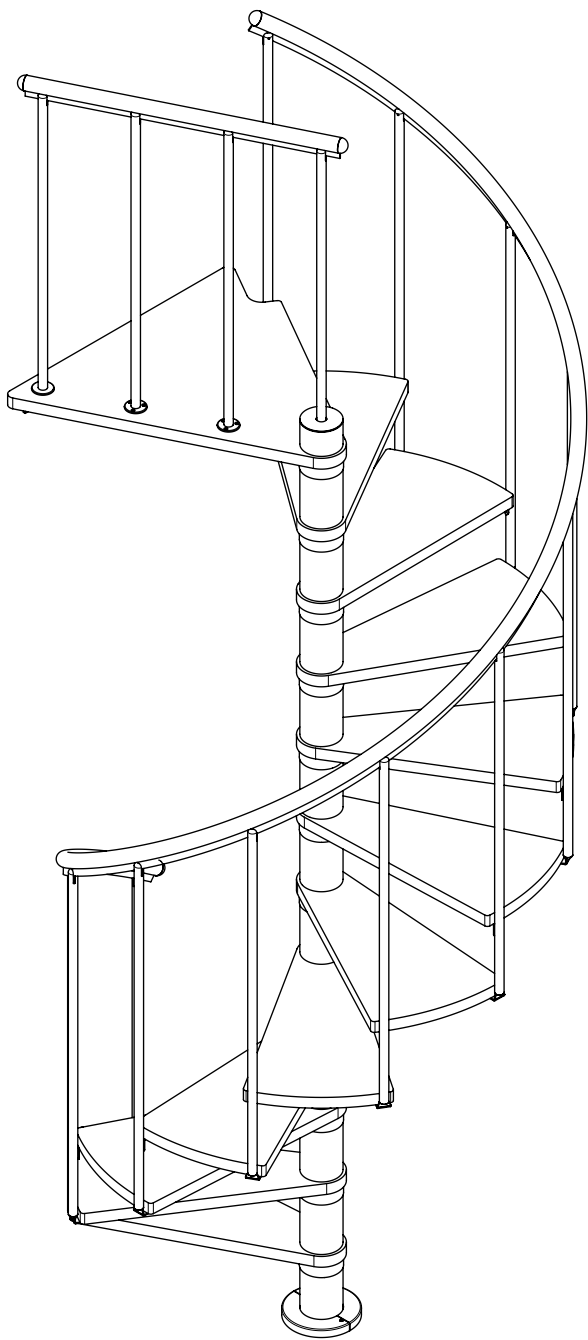
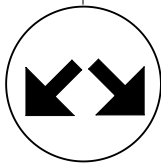


T	Pos.	V °	A		B	
			"	mm	"	mm
10	7	22	47 3/8	1203	20 3/16	513
	6	24	40 1/4	1022	24 5/8	626
	5	26	32 1/8	816	26 11/16	678
	4	28	23 3/4	603	26 1/8	663
	3	30	15 15/16	405	23	584
11	7	22	38 11/16	982	25 1/4	642
	6	24	29 1/2	749	26 13/16	680
	5	26	20 5/16	516	25 1/16	637
	4	28	12 5/16	313	20 3/8	517
	3	30	6 3/8	162	13 3/16	334
12	7	22	28 11/16	729	26 3/4	680
	6	24	18 3/4	476	24 7/16	621
	5	26	10 3/8	264	18 9/16	471
	4	28	4 7/8	123	9 15/16	253
	3	30	2 15/16	75	- 1/8	-3
13	7	22	18 15/16	480	24 1/2	623
	6	24	9 7/8	250	18	457
	5	26	4 1/4	108	8 3/8	212
	4	28	3 1/16	78	-2 3/4	-69
	3	30	6 1/2	165	-13 3/8	-339
14	7	22	10 5/8	270	18 13/16	477
	6	24	4 5/16	110	8 1/2	216
	5	26	3 3/16	80	-3 1/2	-89
	4	28	7 3/8	188	-14 13/16	-376
	3	30	16 1/8	410	-23 1/16	-586
15	7	22	5 1/16	128	10 7/16	265
	6	24	3 1/16	77	-2 3/8	-61
	5	26	7 5/16	185	-14 5/8	-372
	4	28	16 13/16	427	-23 7/16	-596
	3	30	29 5/16	745	-26 13/16	-680

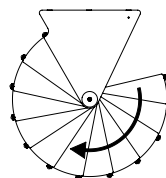
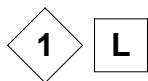
∅ 160 cm [63"]



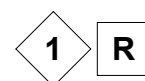
T	Pos.	V °	A		B	
			"	mm	"	mm
10	7	22	51 15/16	1319	24 11/16	628
	6	24	44 9/16	1132	28 3/4	730
	5	26	36 3/8	924	30 1/2	777
	4	27	28	711	30 3/16	767
	3	29	20	509	27 9/16	699
11	7	22	41 1/4	1047	29 13/16	757
	6	24	31 15/16	812	30 11/16	779
	5	26	22 13/16	580	28 3/4	730
	4	27	14 11/16	374	24 3/16	614
12	3	29	8 5/16	212	17 3/8	442
	7	22	29 7/16	747	30 7/16	773
	6	24	19 3/4	499	27 5/16	694
	5	26	11 7/16	290	21 1/4	539
13	4	27	5 11/16	145	12 3/4	323
	3	29	3 1/16	78	2 13/16	72
	7	22	18 1/4	463	26 9/16	675
	6	24	8 1/16	205	17 1/16	433
14	5	26	4 7/16	112	9 1/2	241
	4	27	2 15/16	75	-1 9/16	-40
	3	29	5 9/16	141	-12 7/16	-316
	7	22	9 5/16	237	18 3/4	477
15	6	24	3 1/16	77	2 7/16	61
	5	26	3 3/16	82	-4 1/8	-105
	4	27	7 3/16	182	-15 9/16	-395
	3	29	15 3/16	386	-24 9/16	-624
15	7	22	4 1/16	103	8 3/16	208
	6	24	5 3/4	146	-12 13/16	-326
	5	26	8	203	-16 15/16	-430
	4	27	17 5/16	439	-26	-661
	3	29	29 1/2	750	-30 7/16	-773

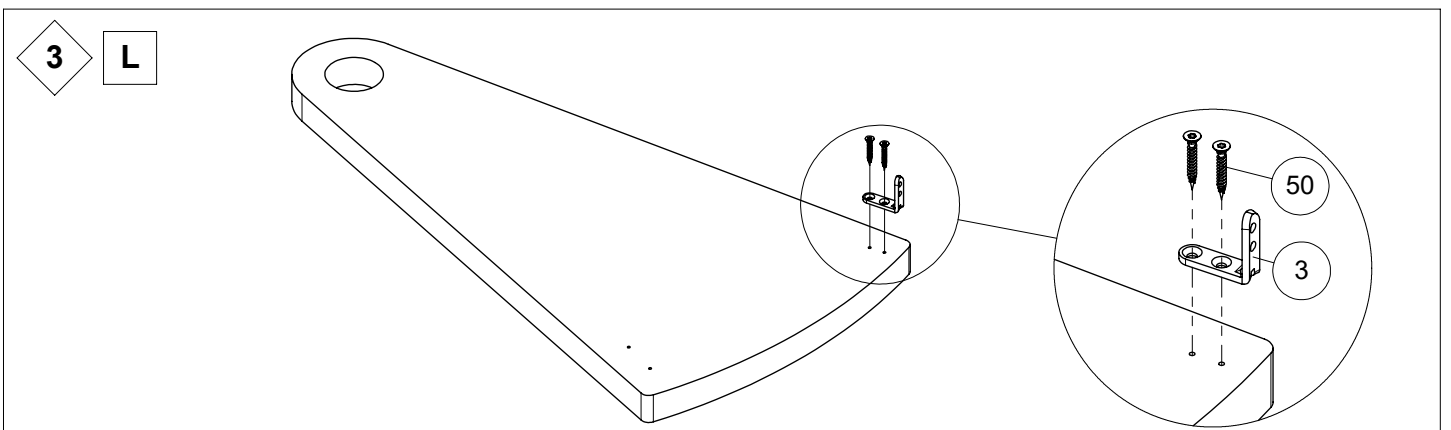
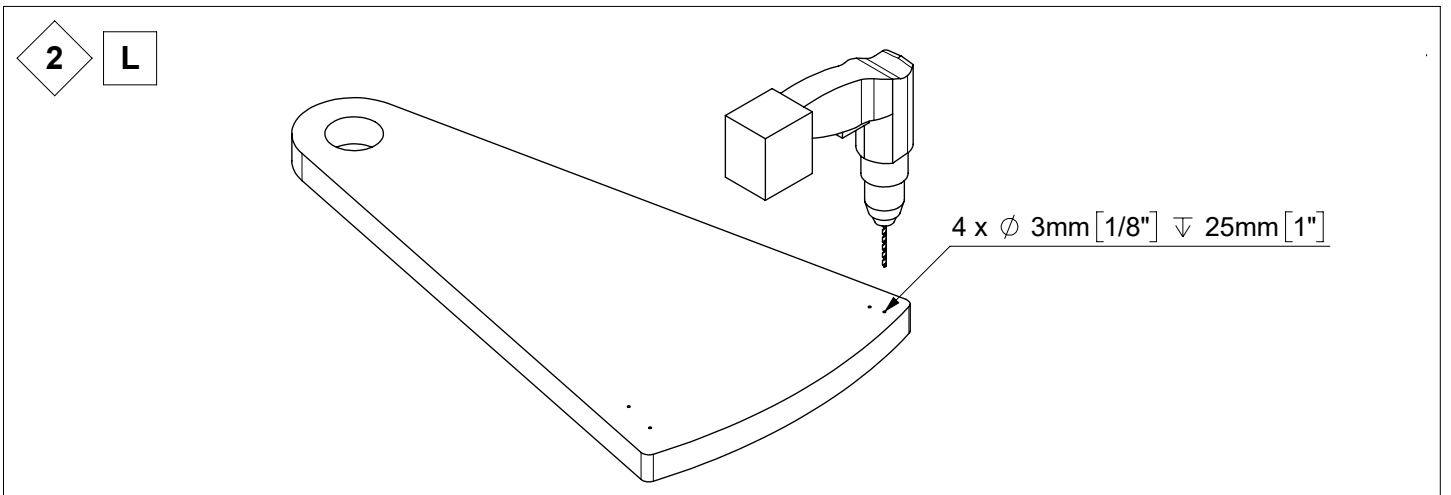
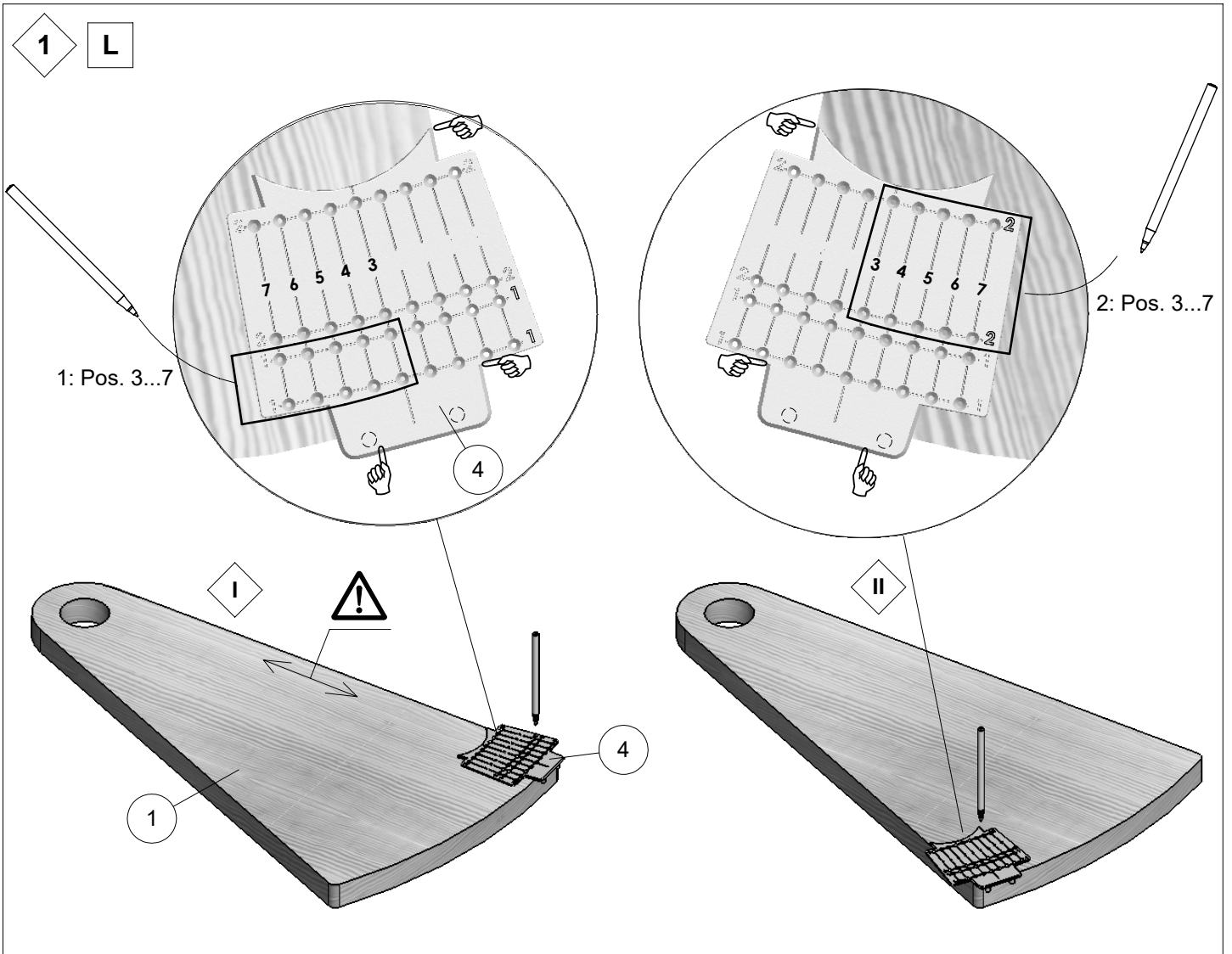


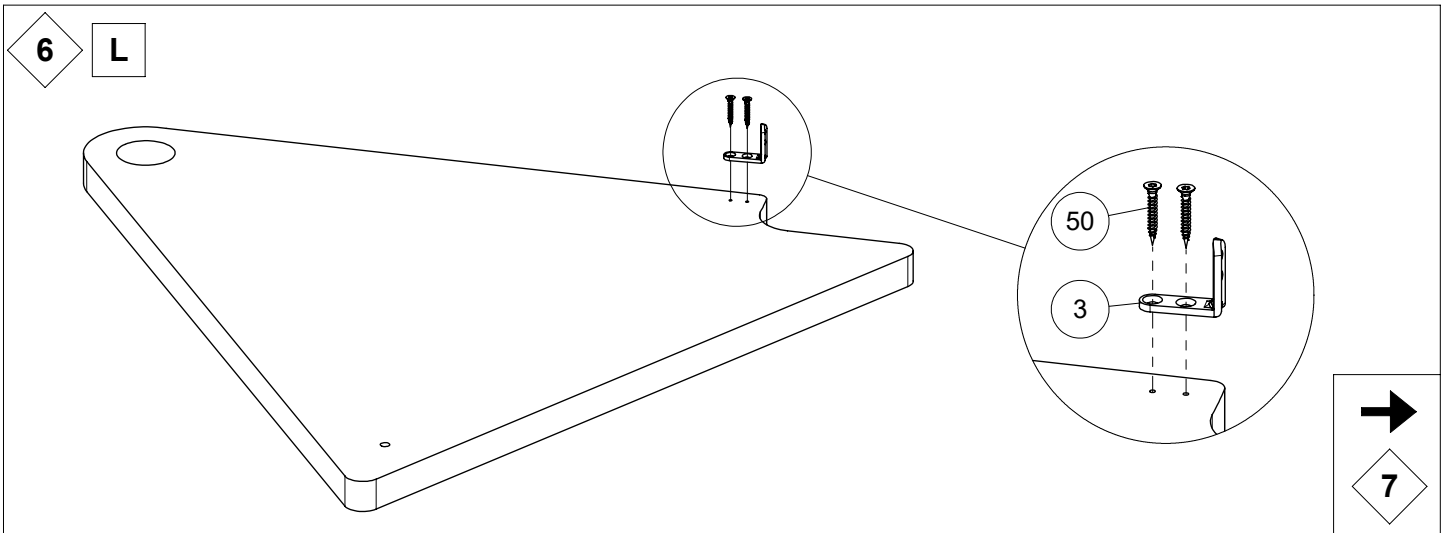
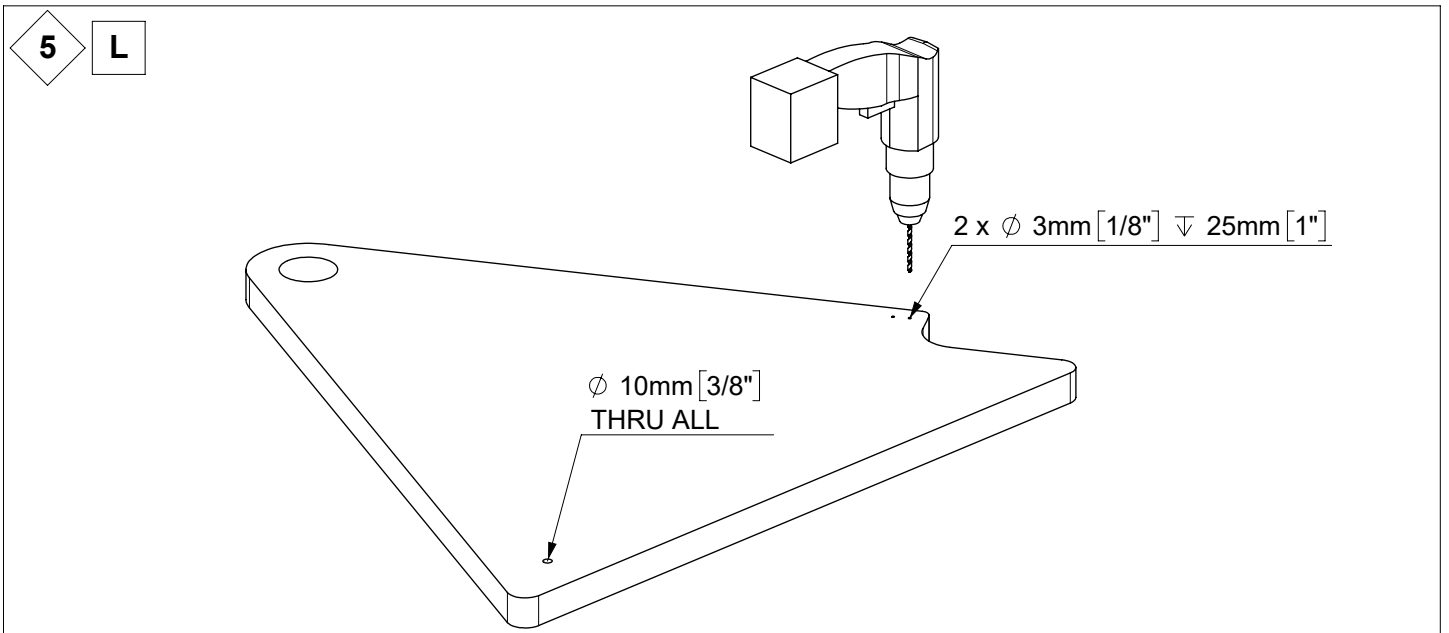
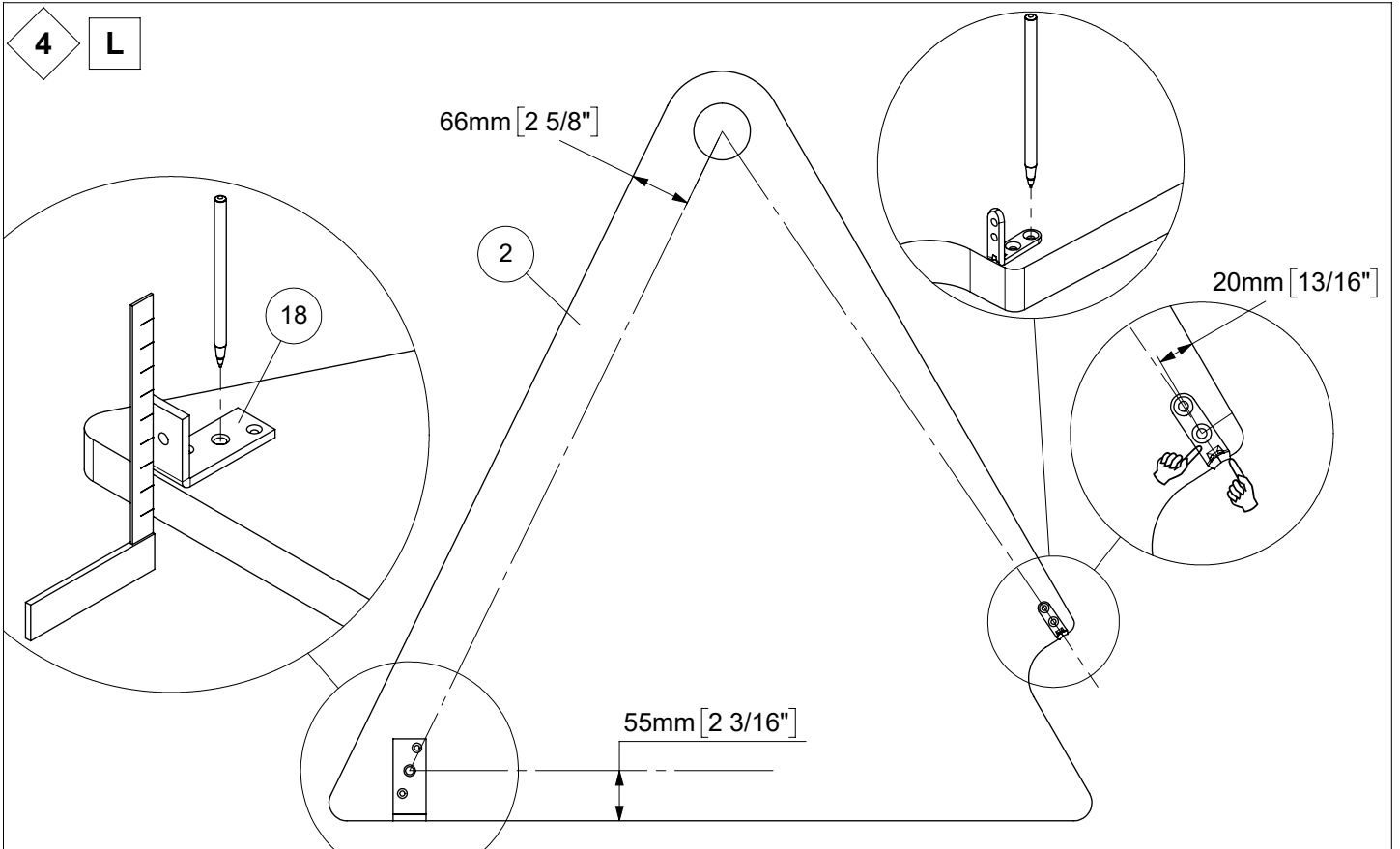
Left  
Links  
Gauche



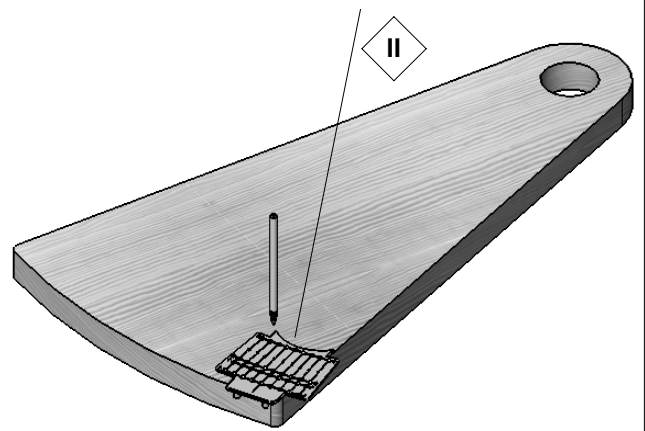
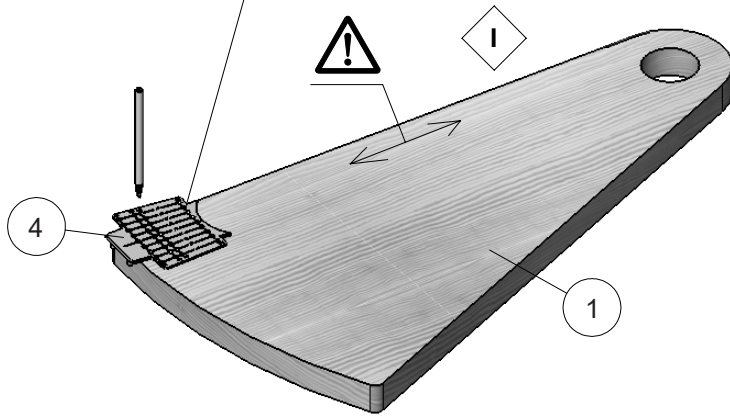
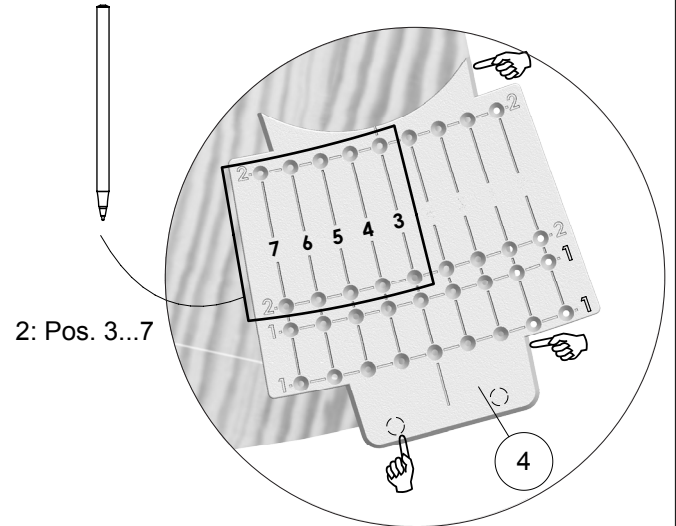
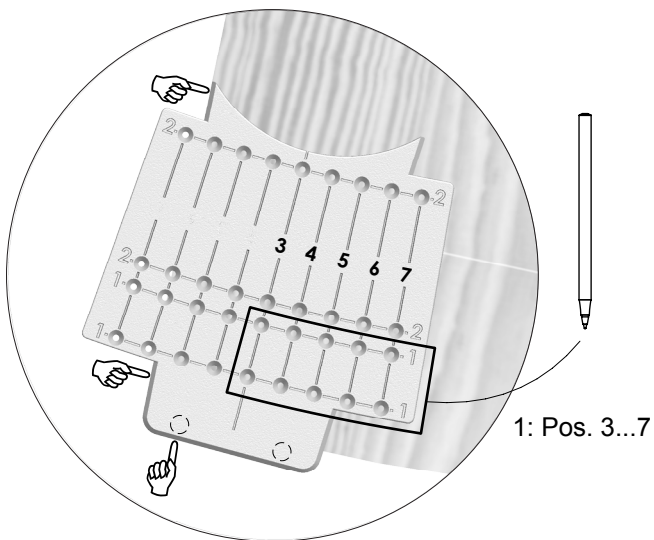
Right  
Recht  
Droite



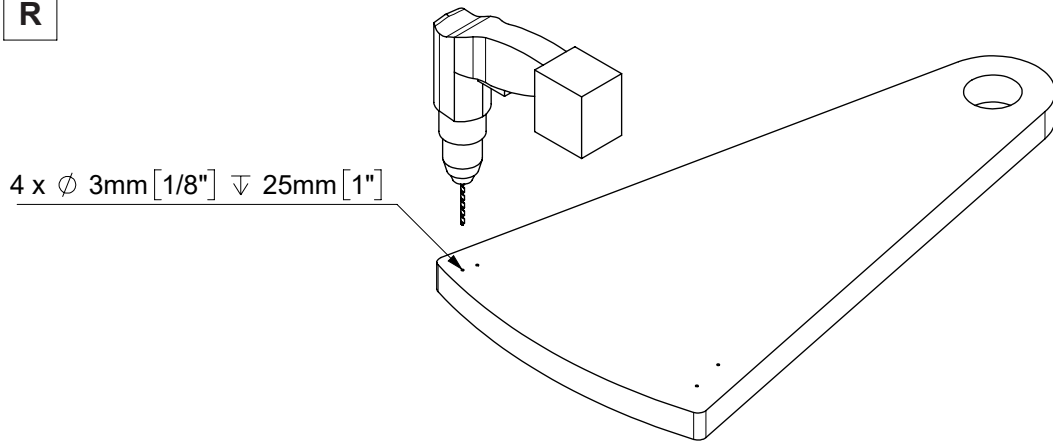




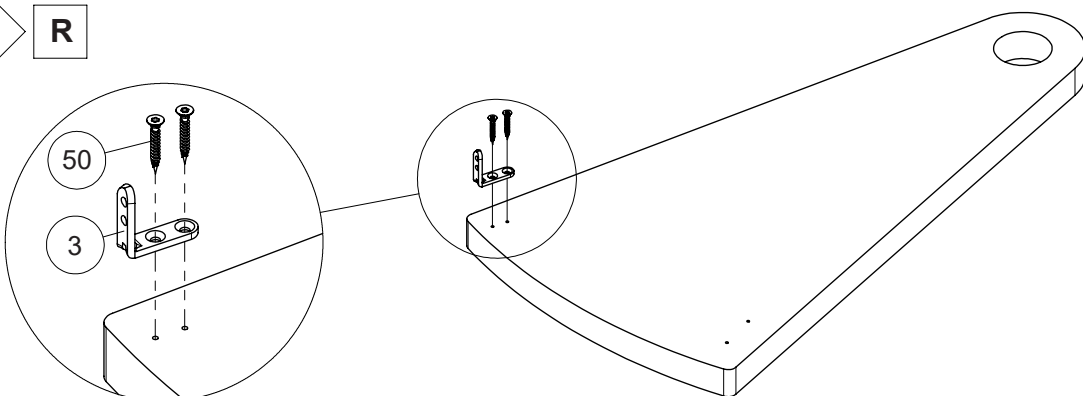
1 R

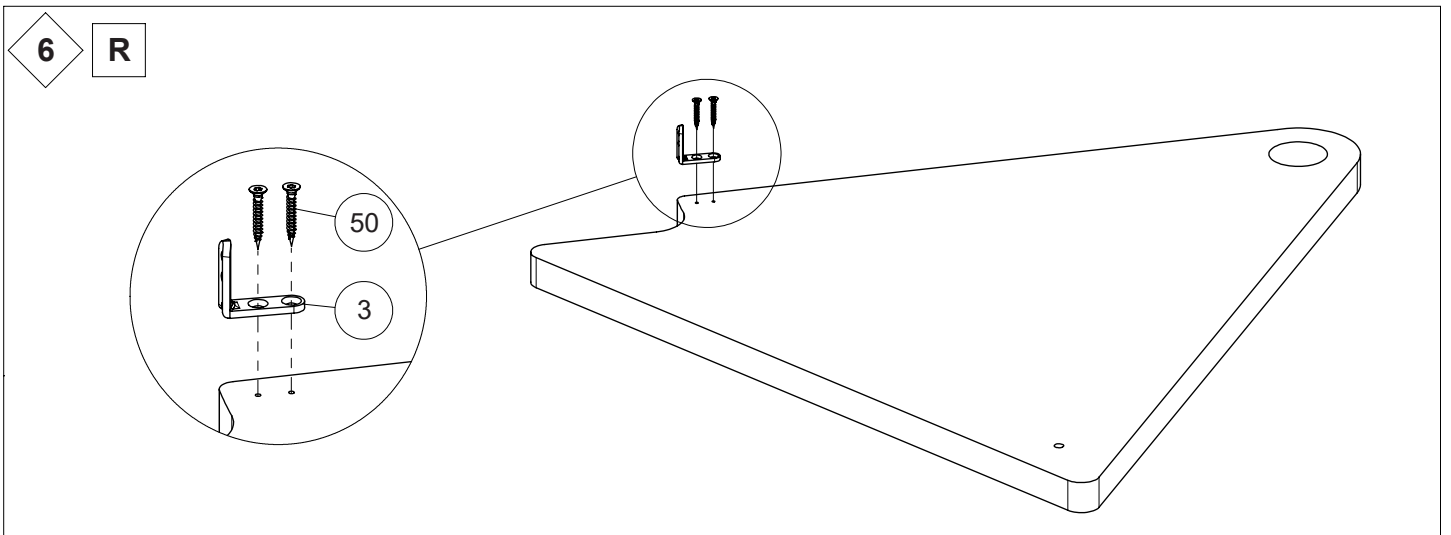
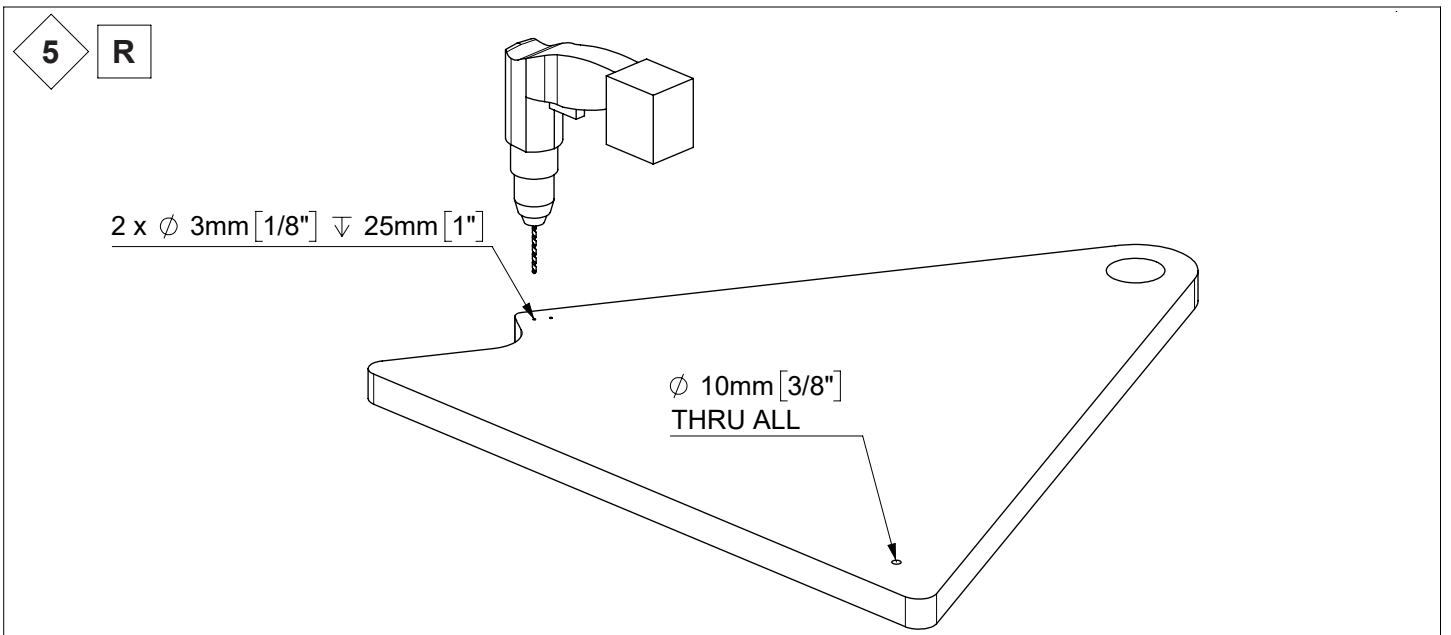
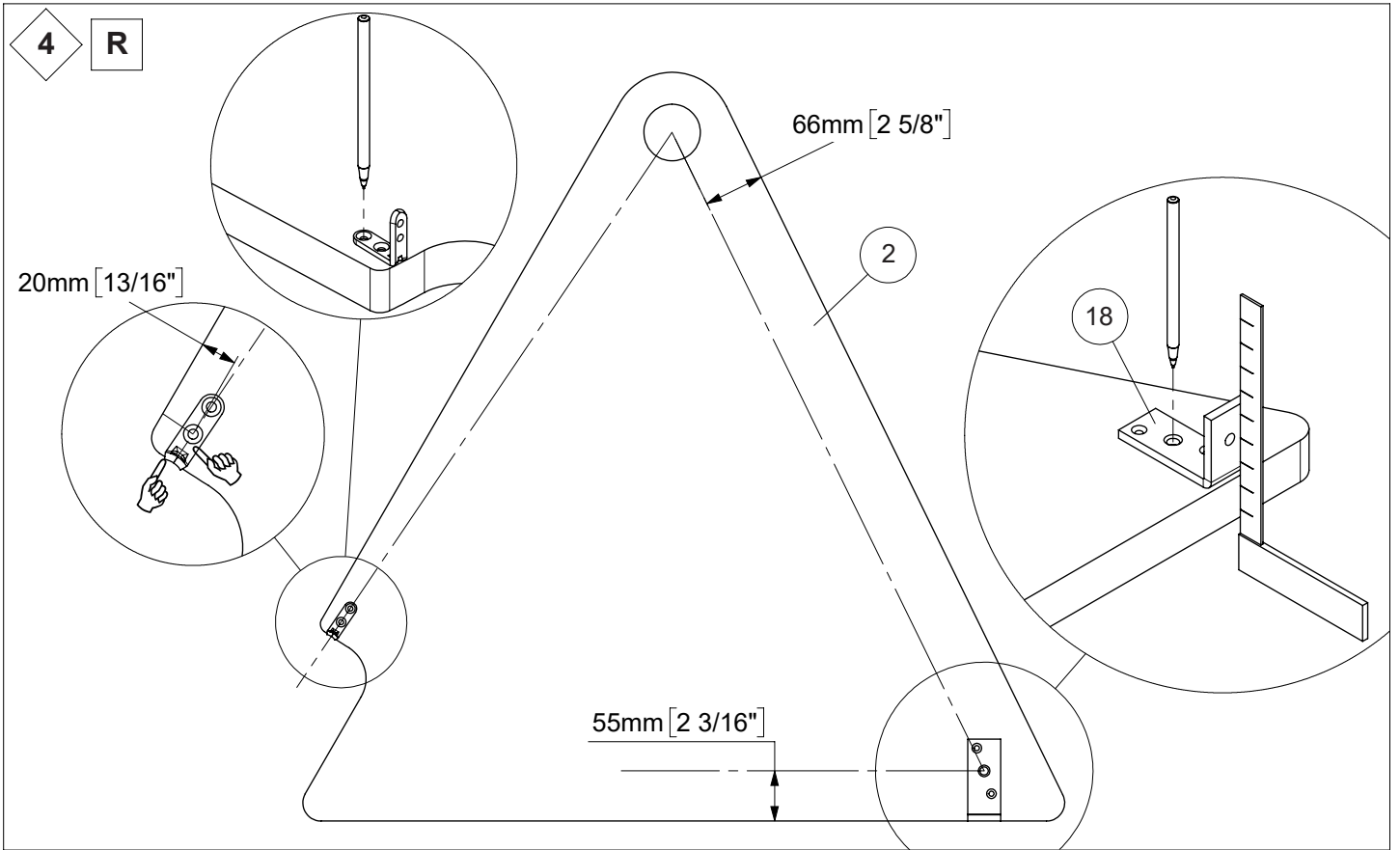


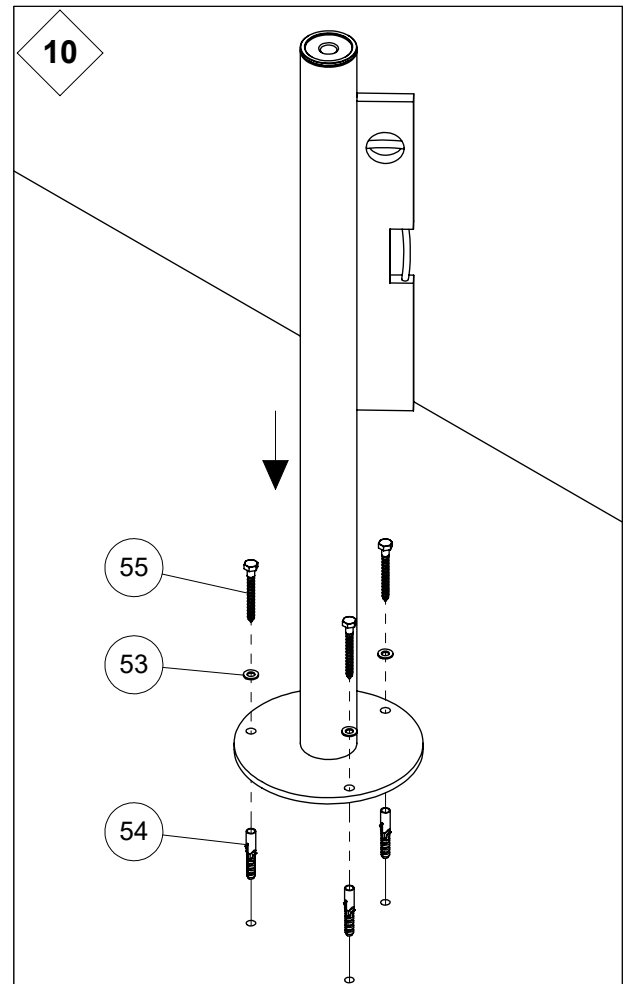
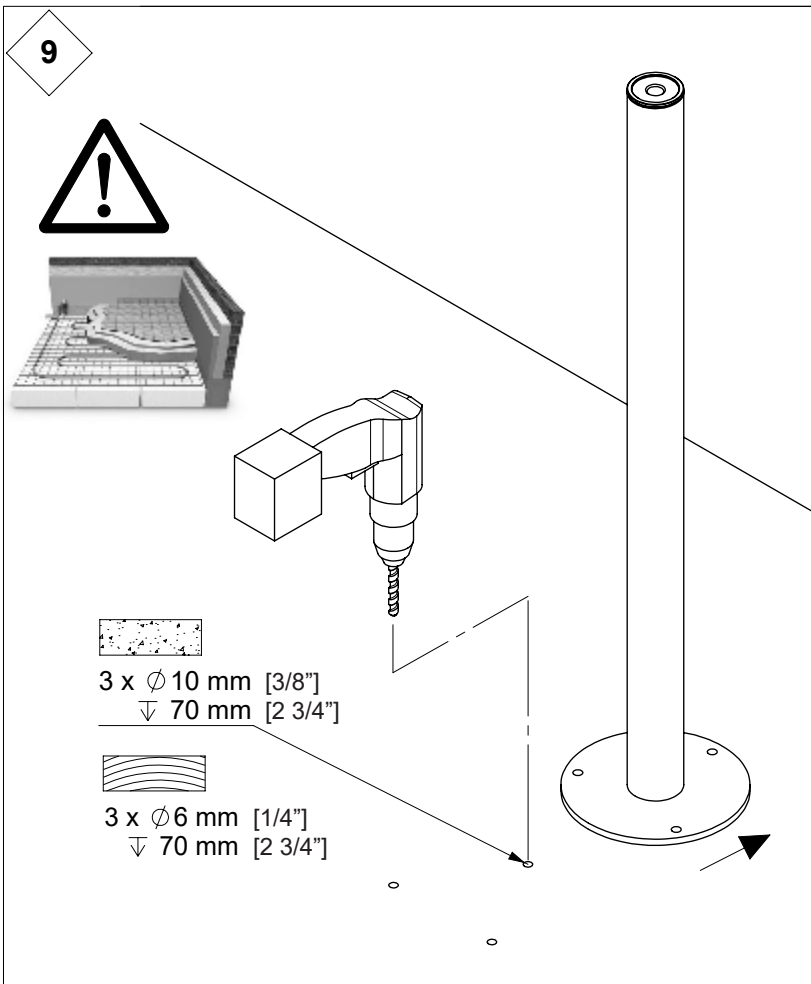
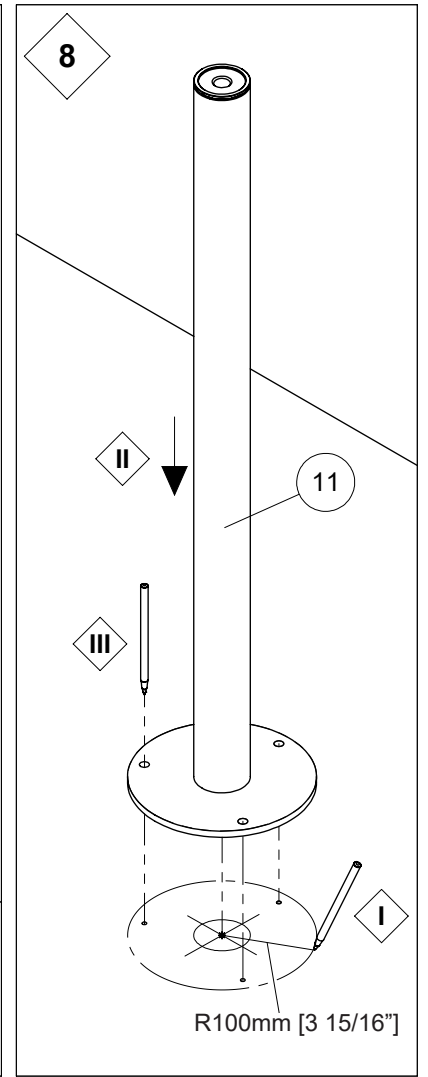
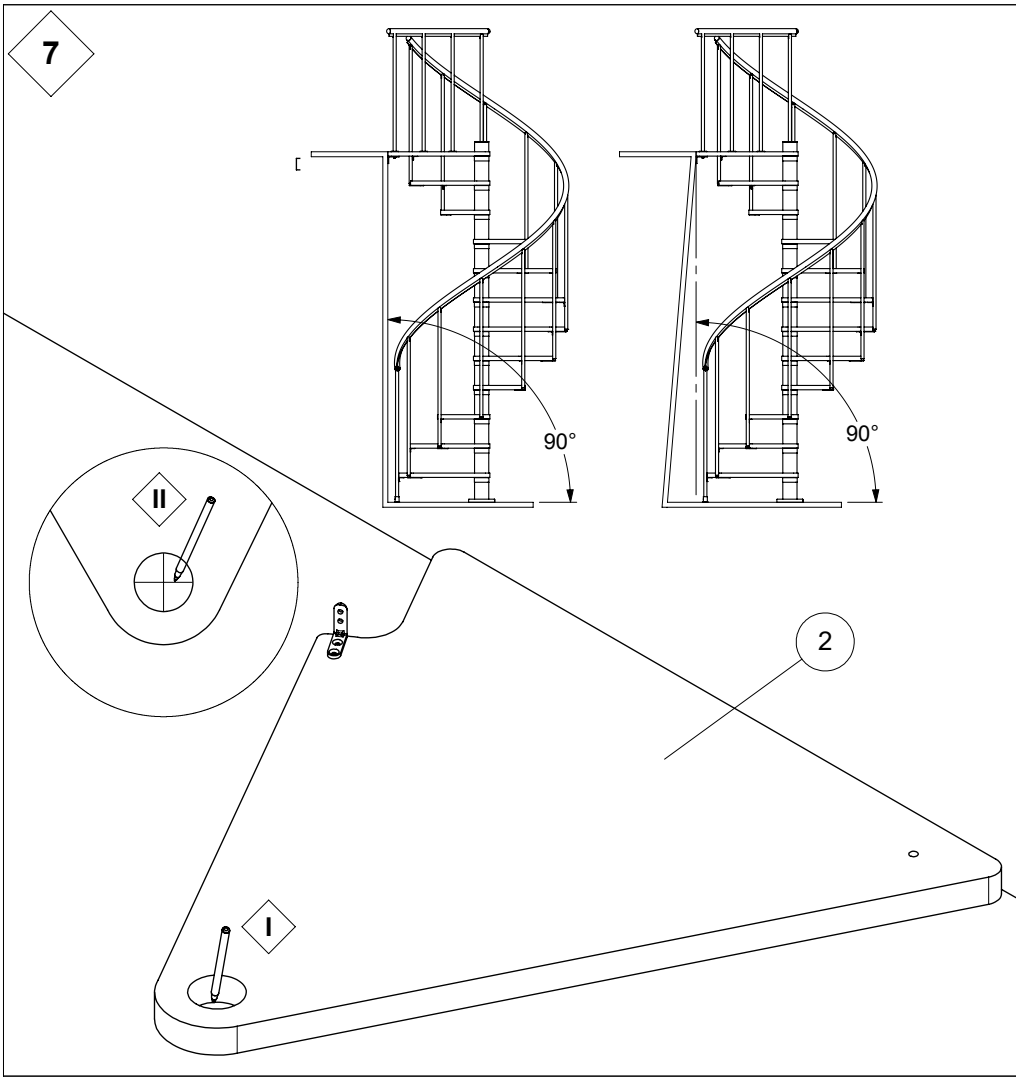
2 R



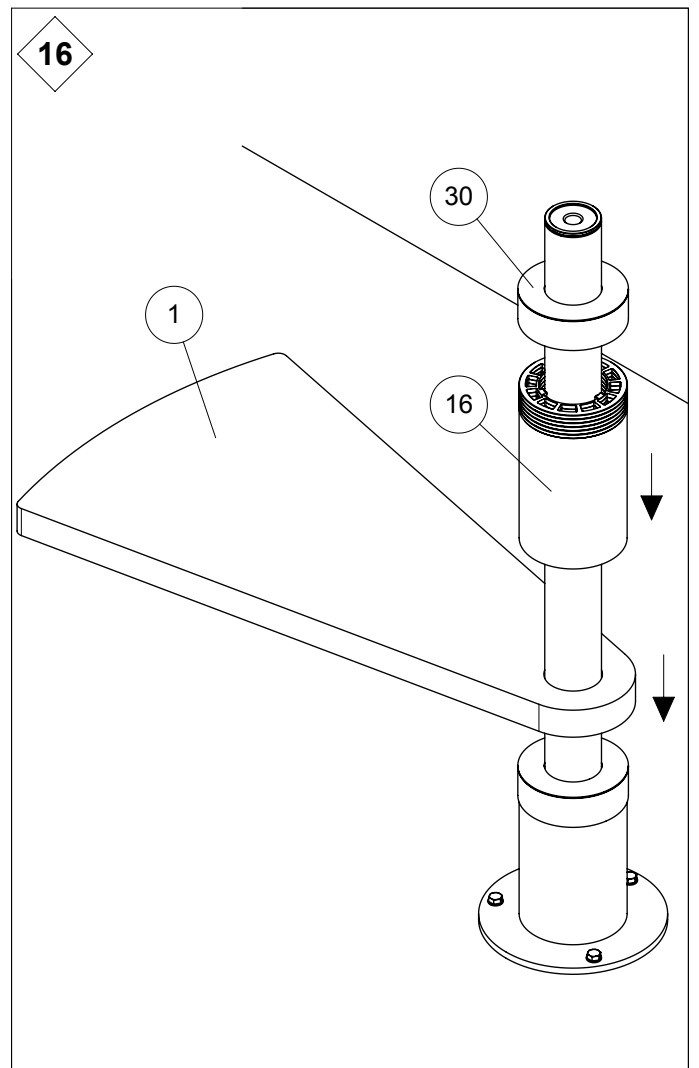
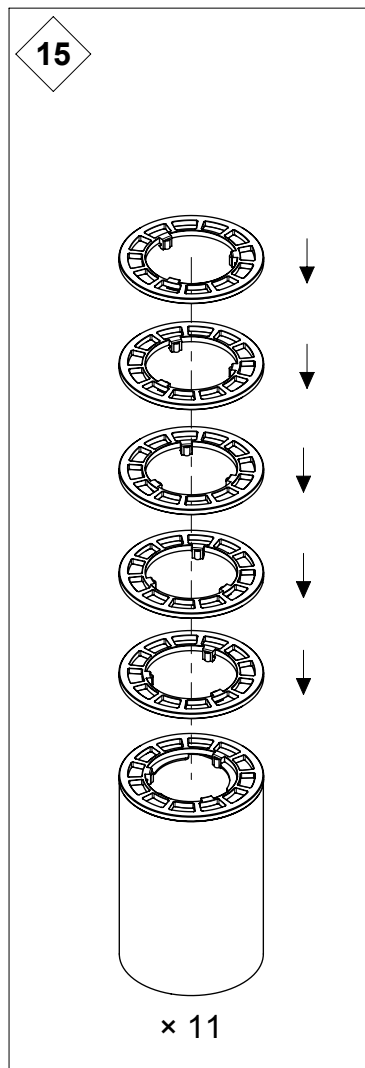
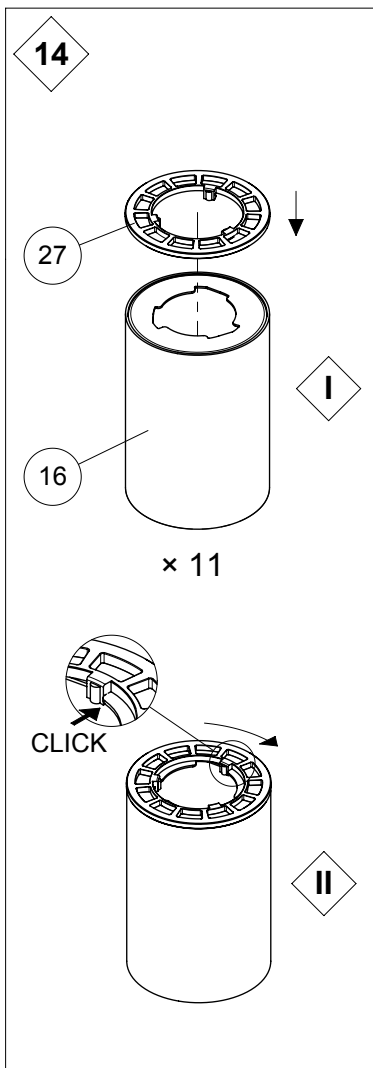
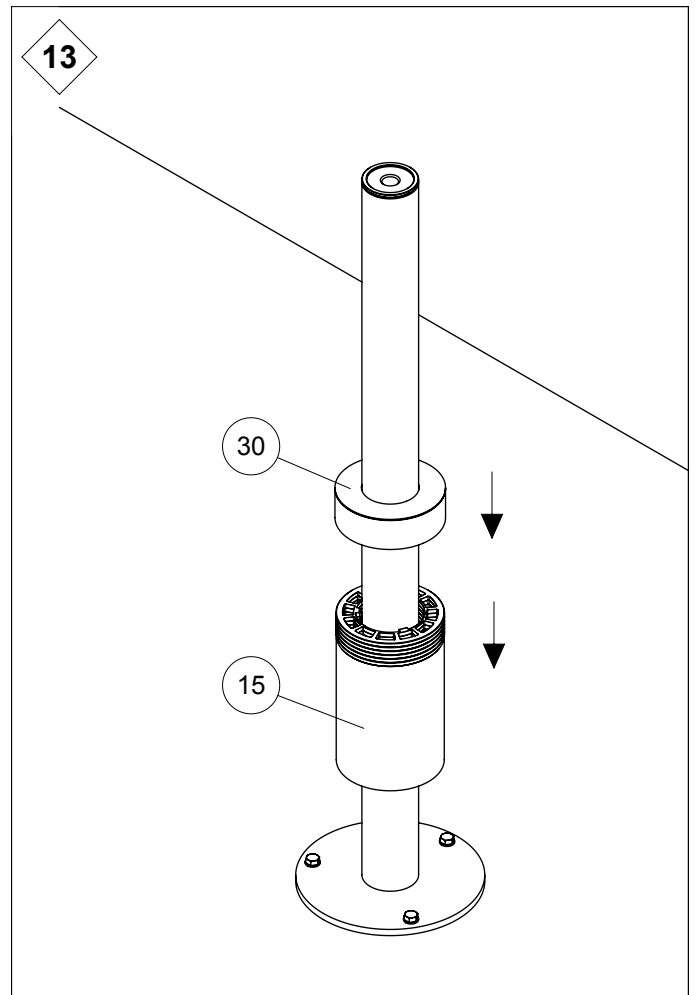
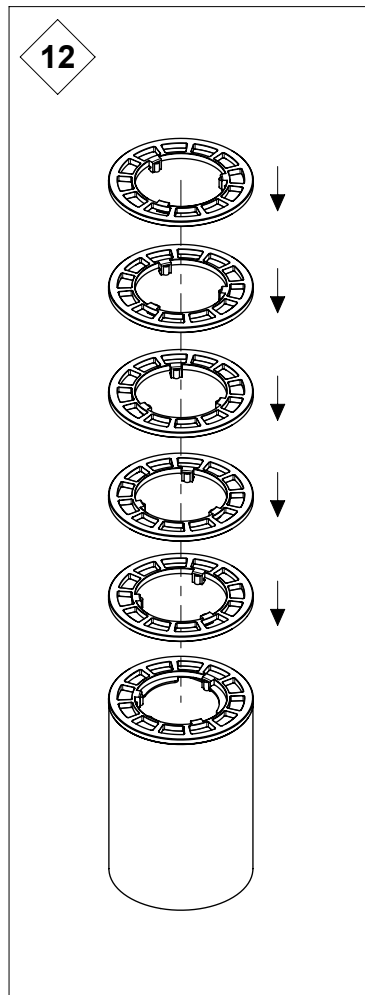
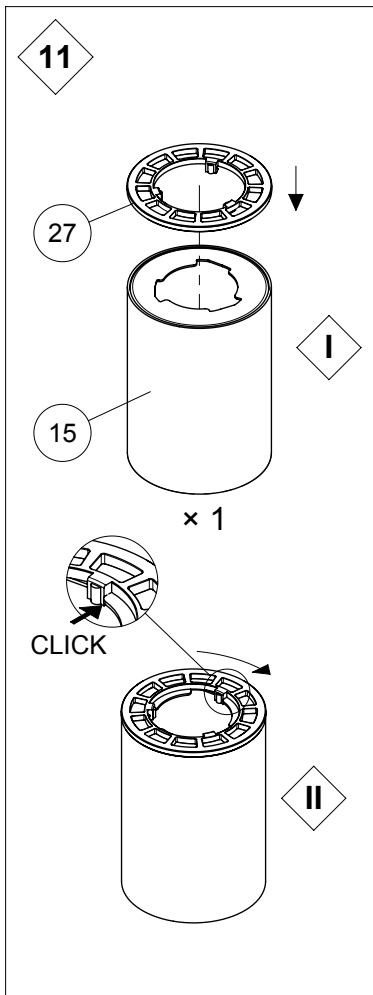
3 R



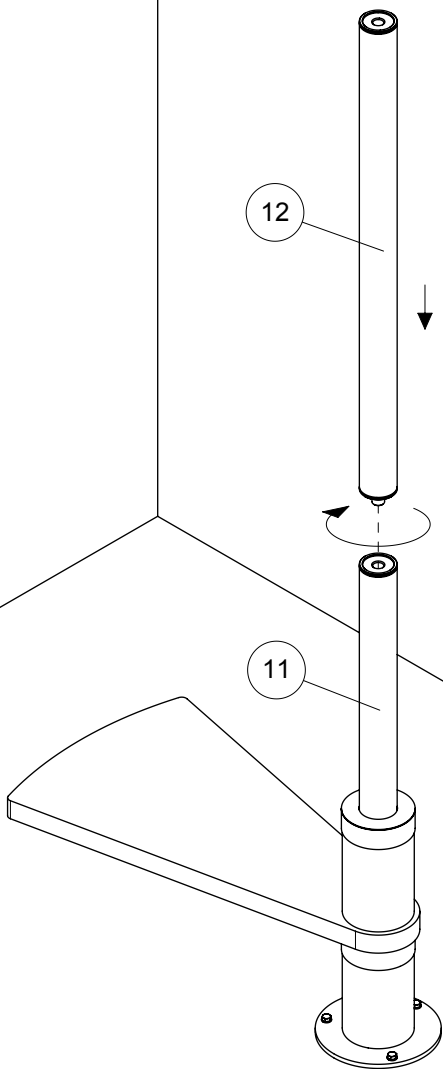




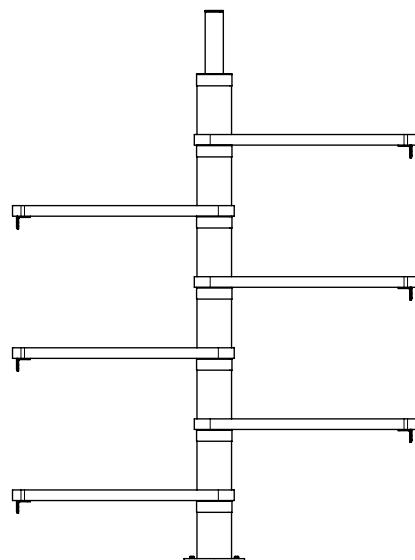
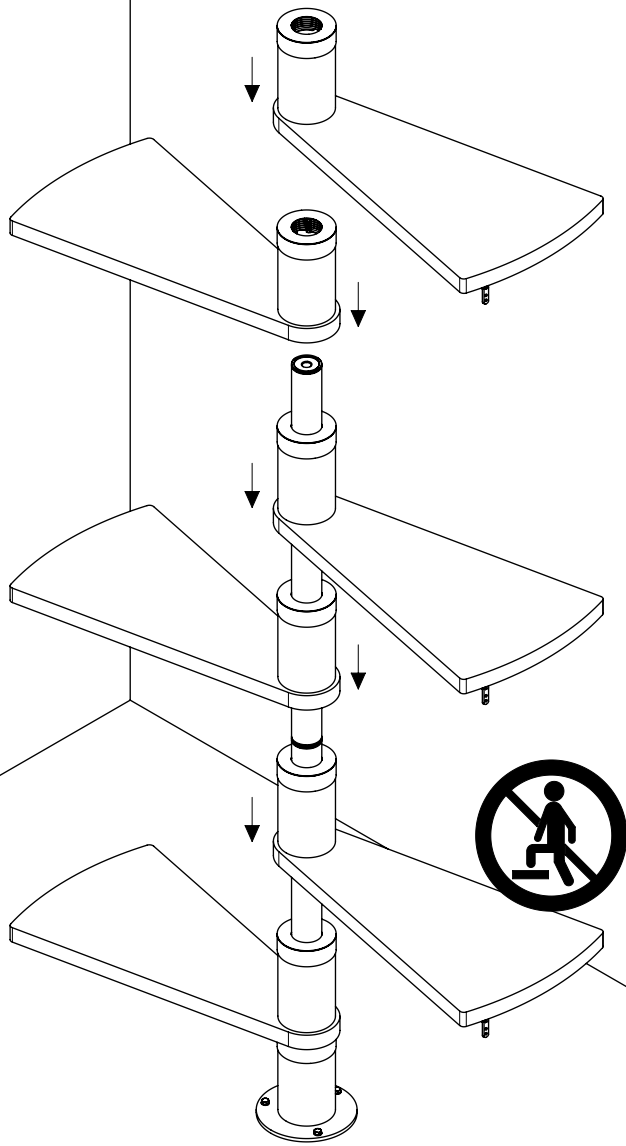


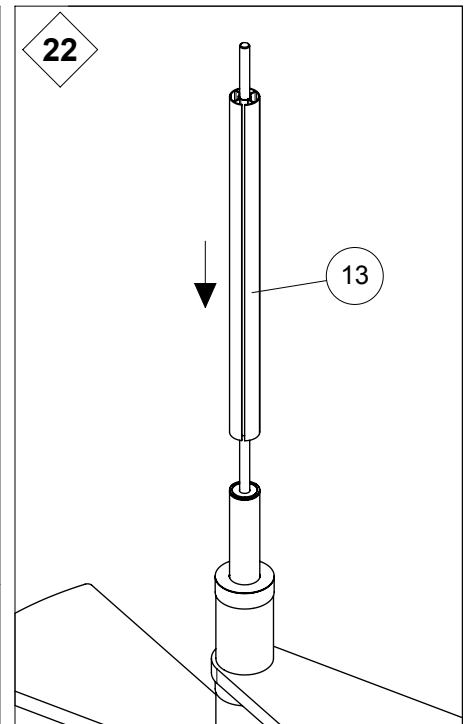
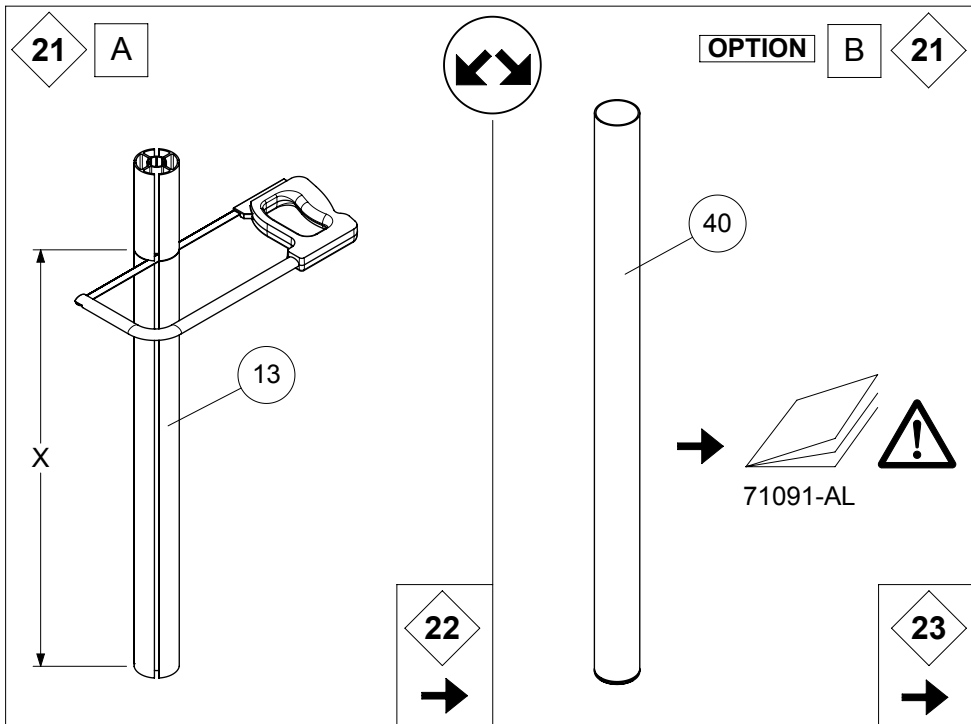
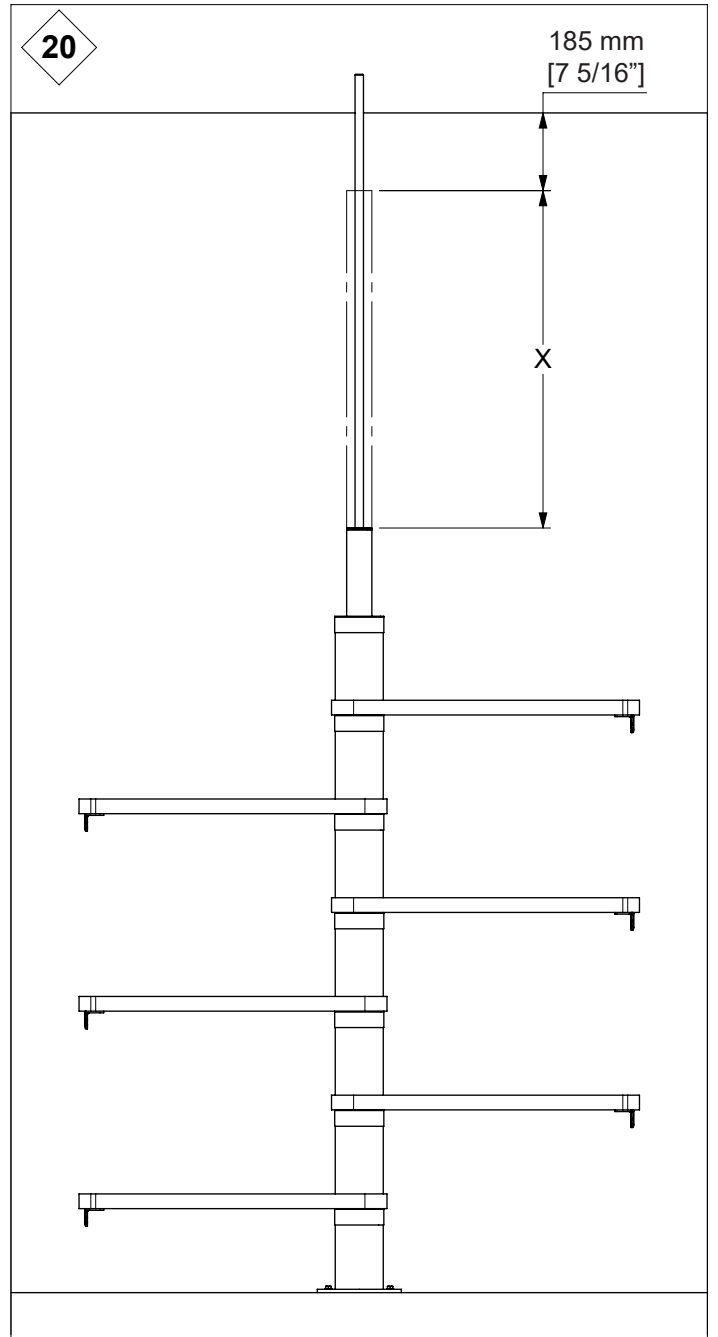
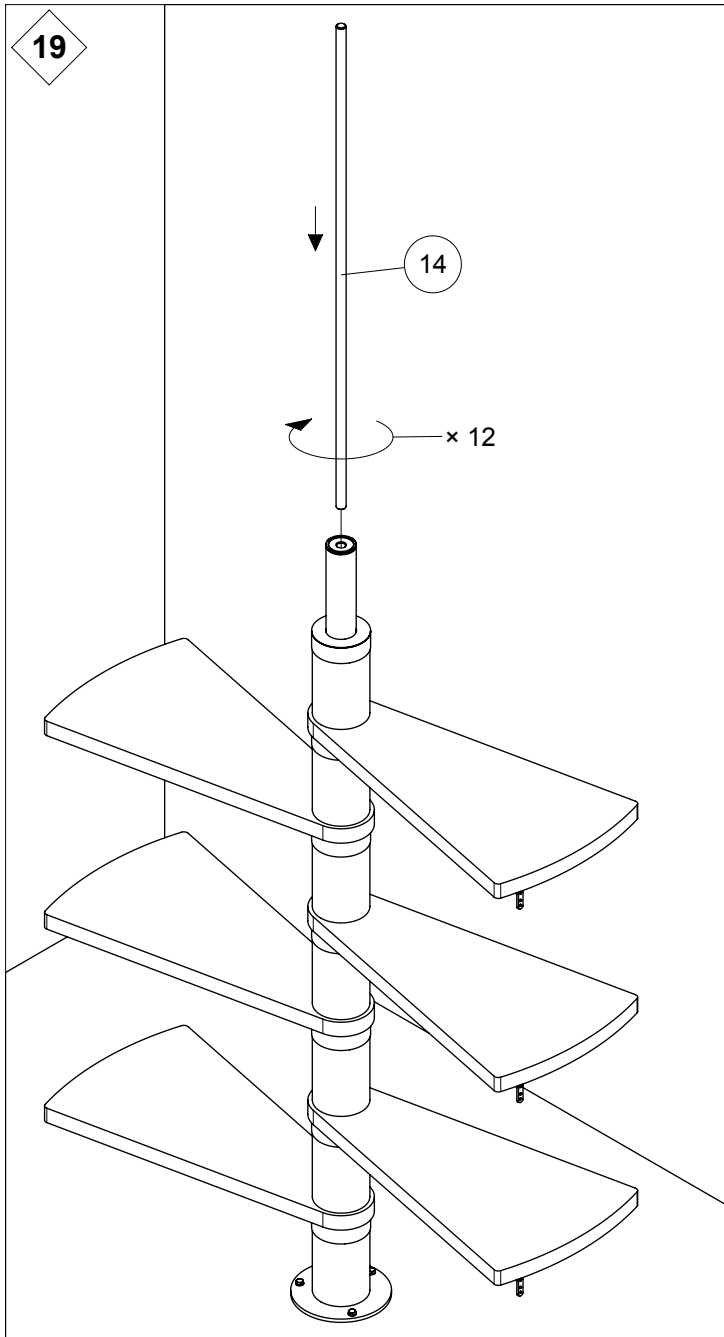


17

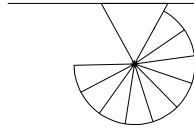
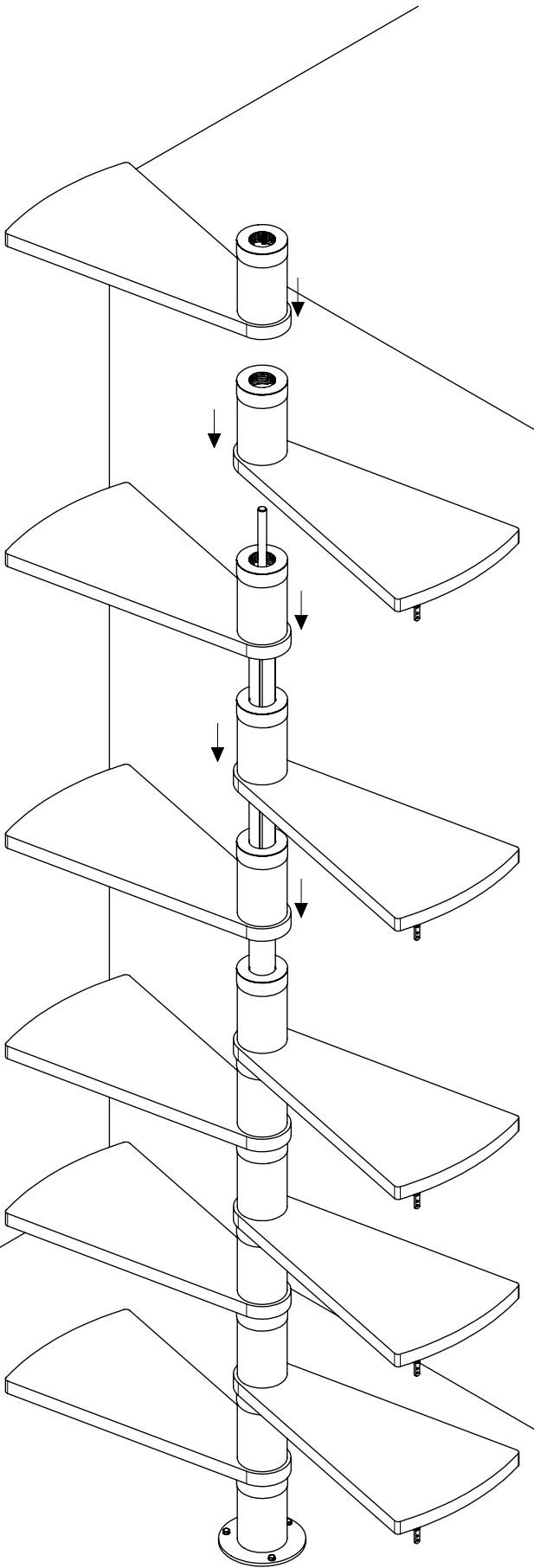


18

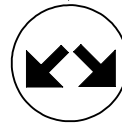




23

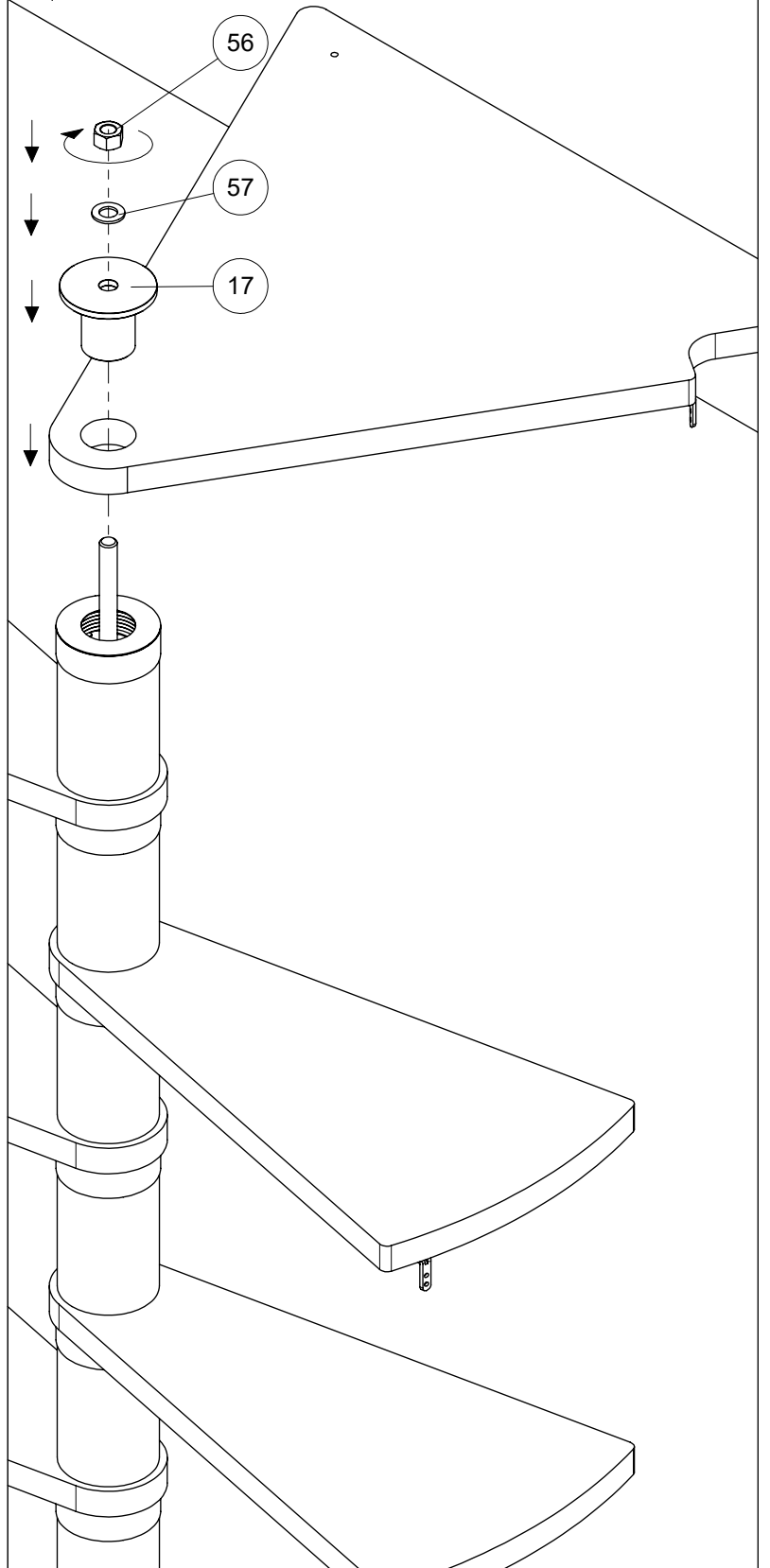


24 - 28

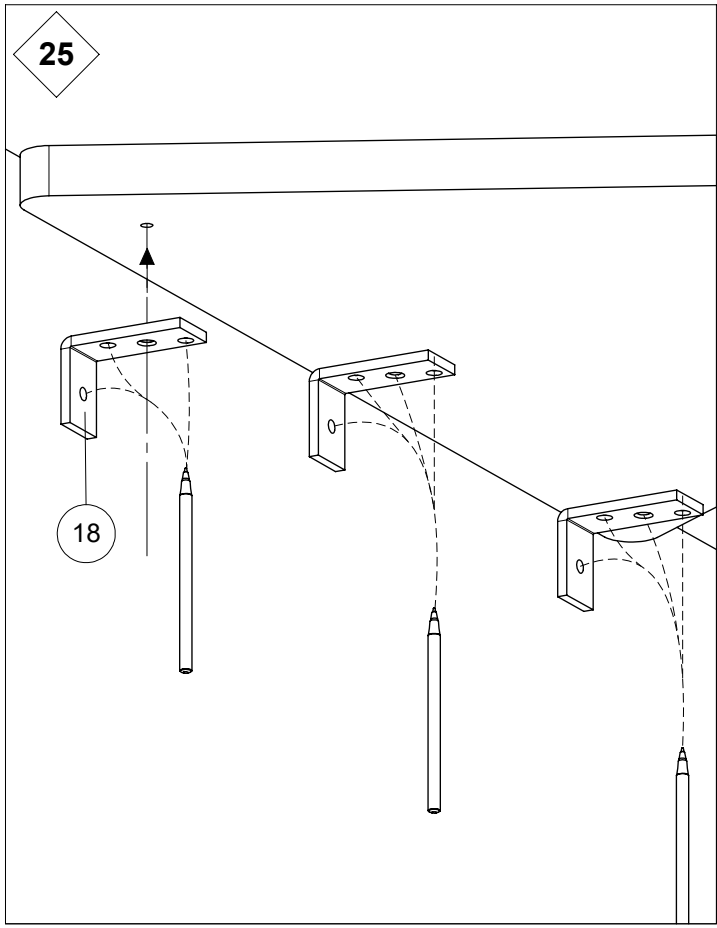


29 - 37

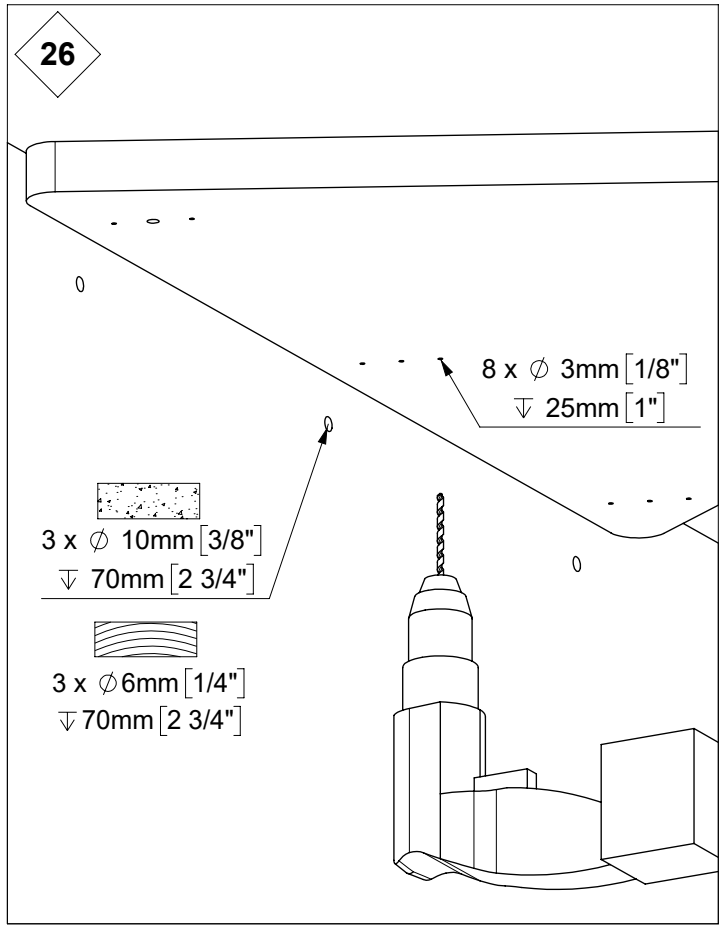
24



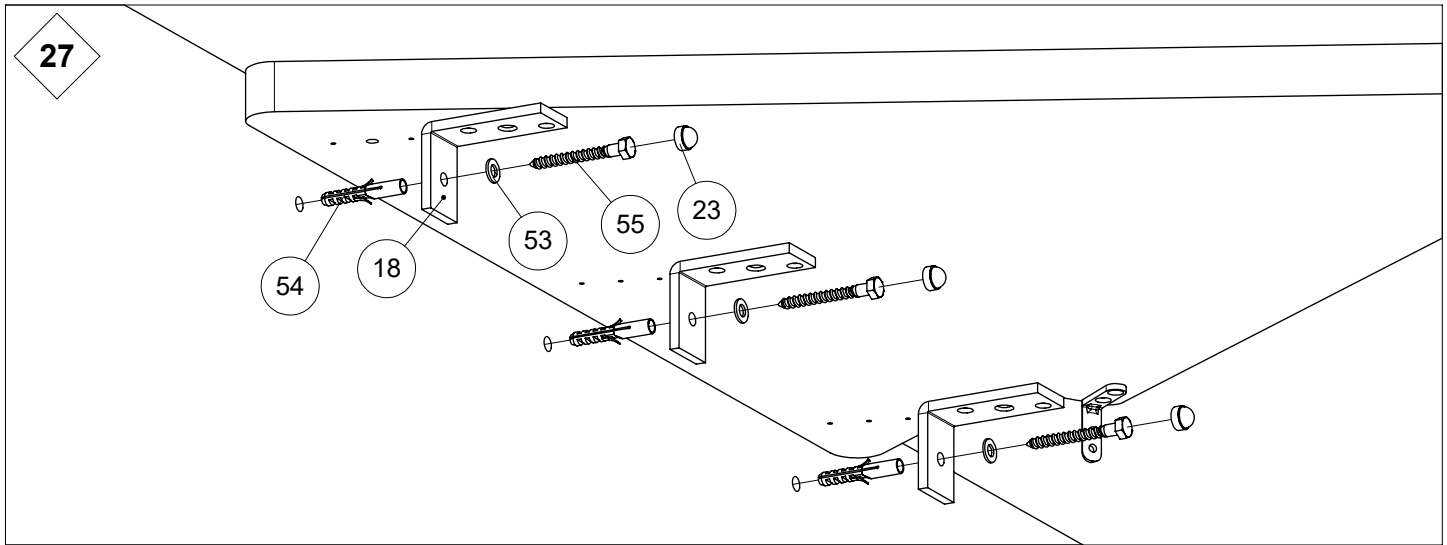
25



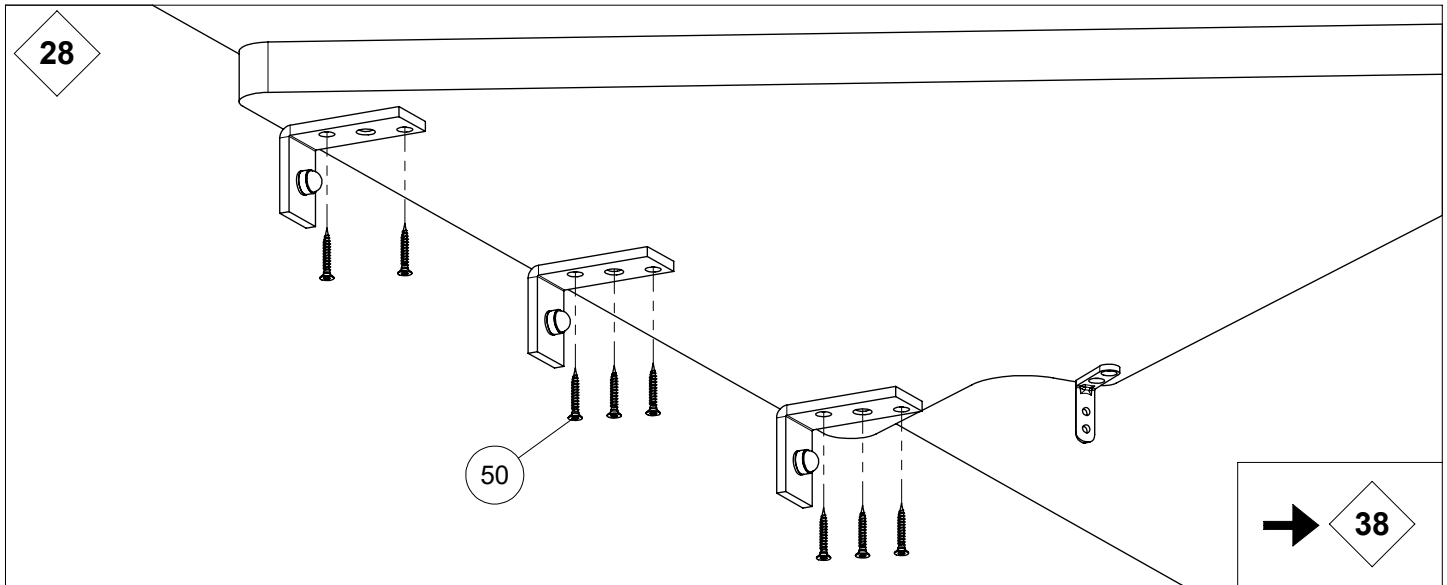
26

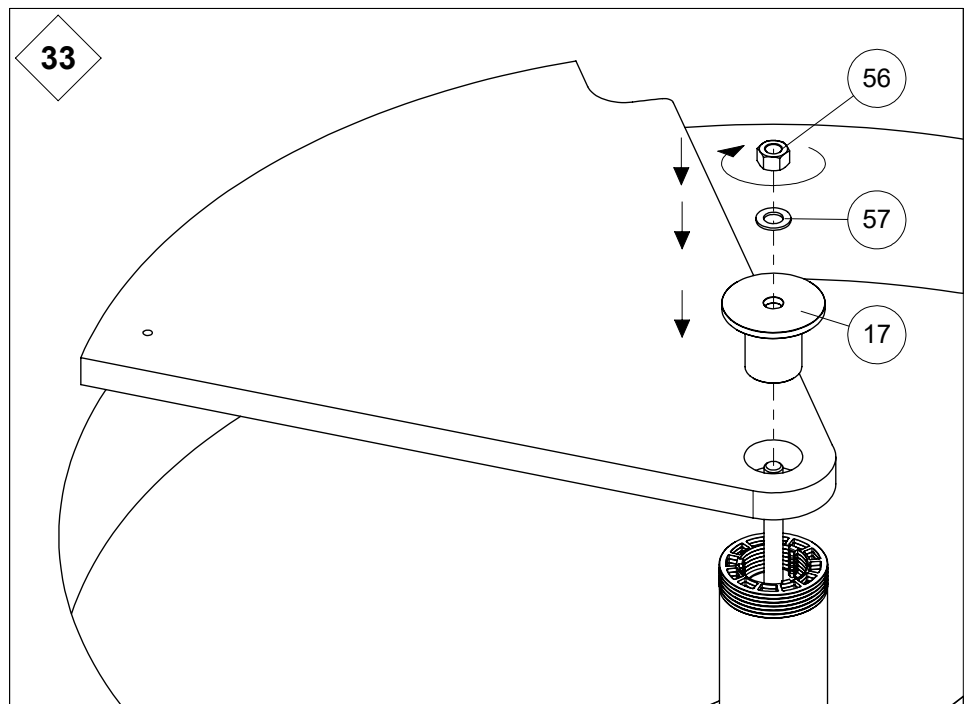
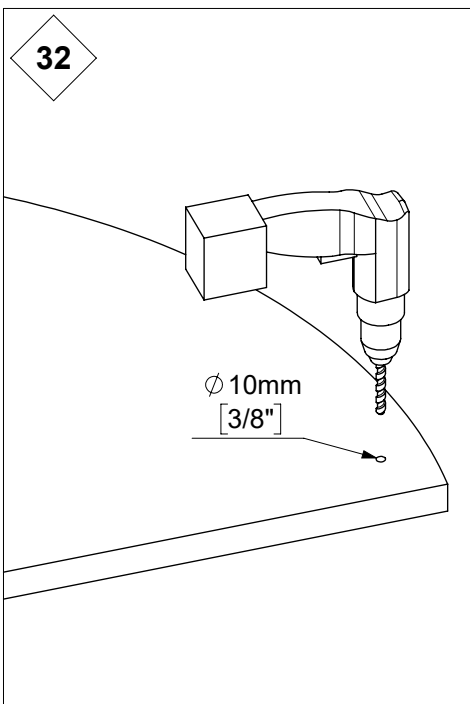
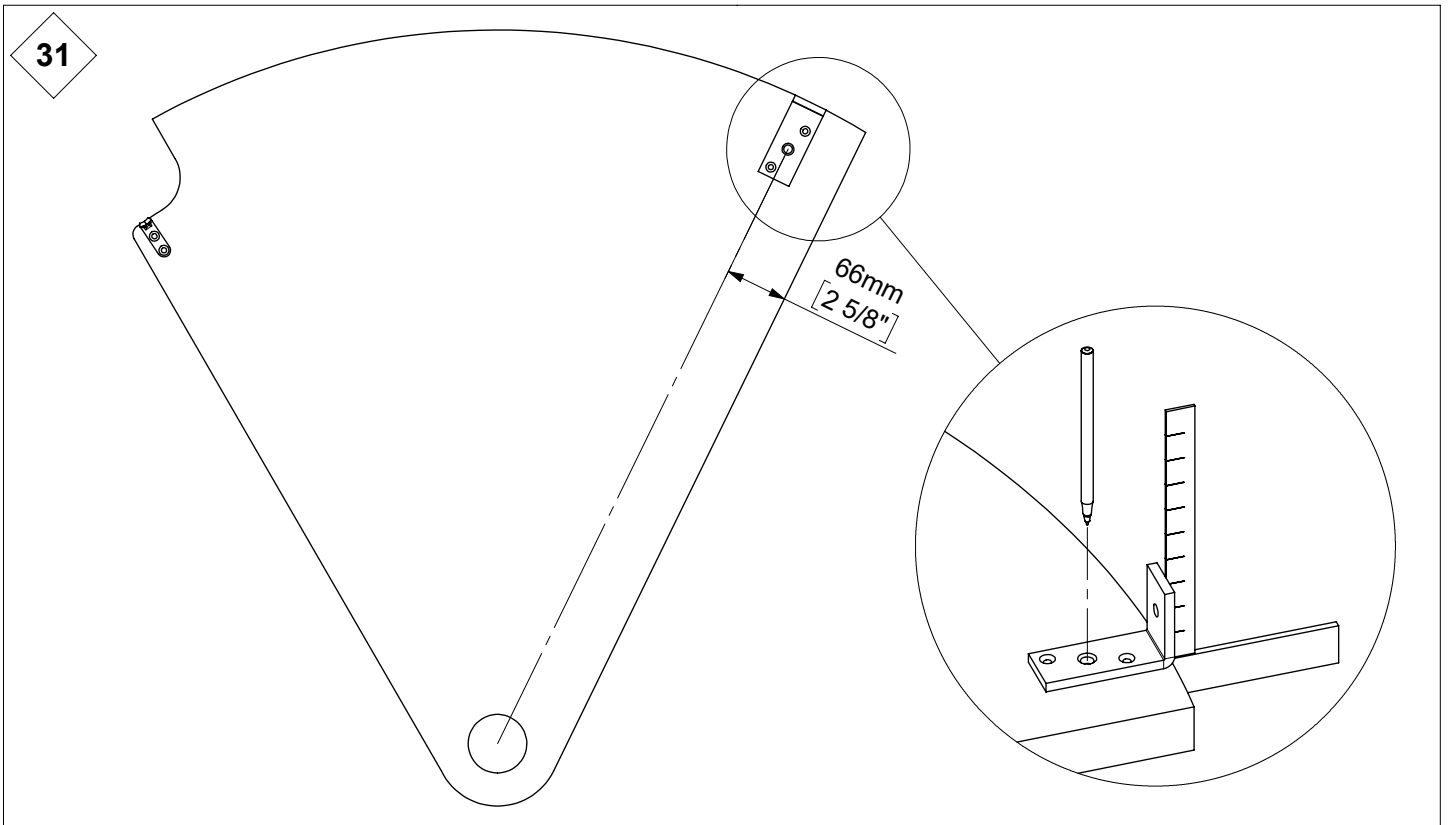
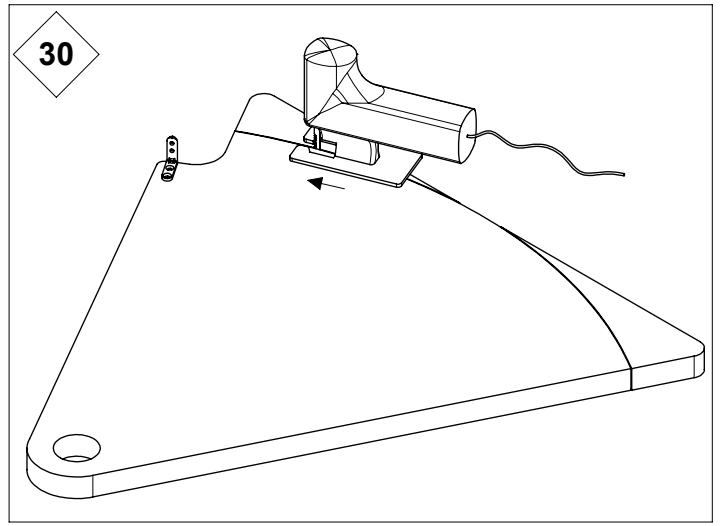
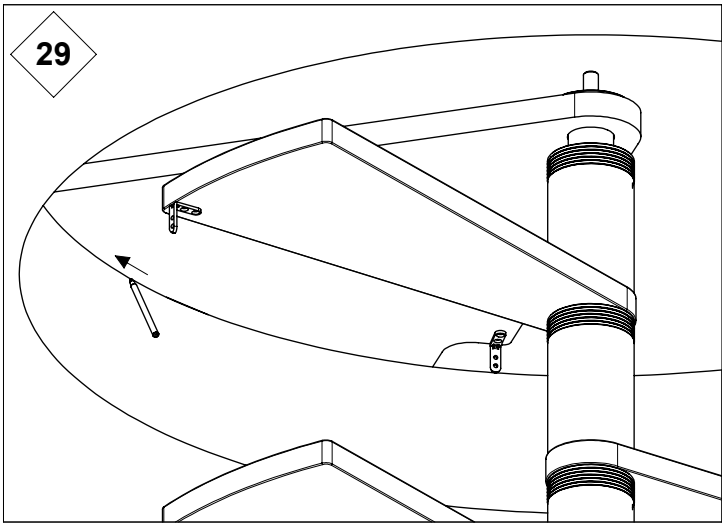


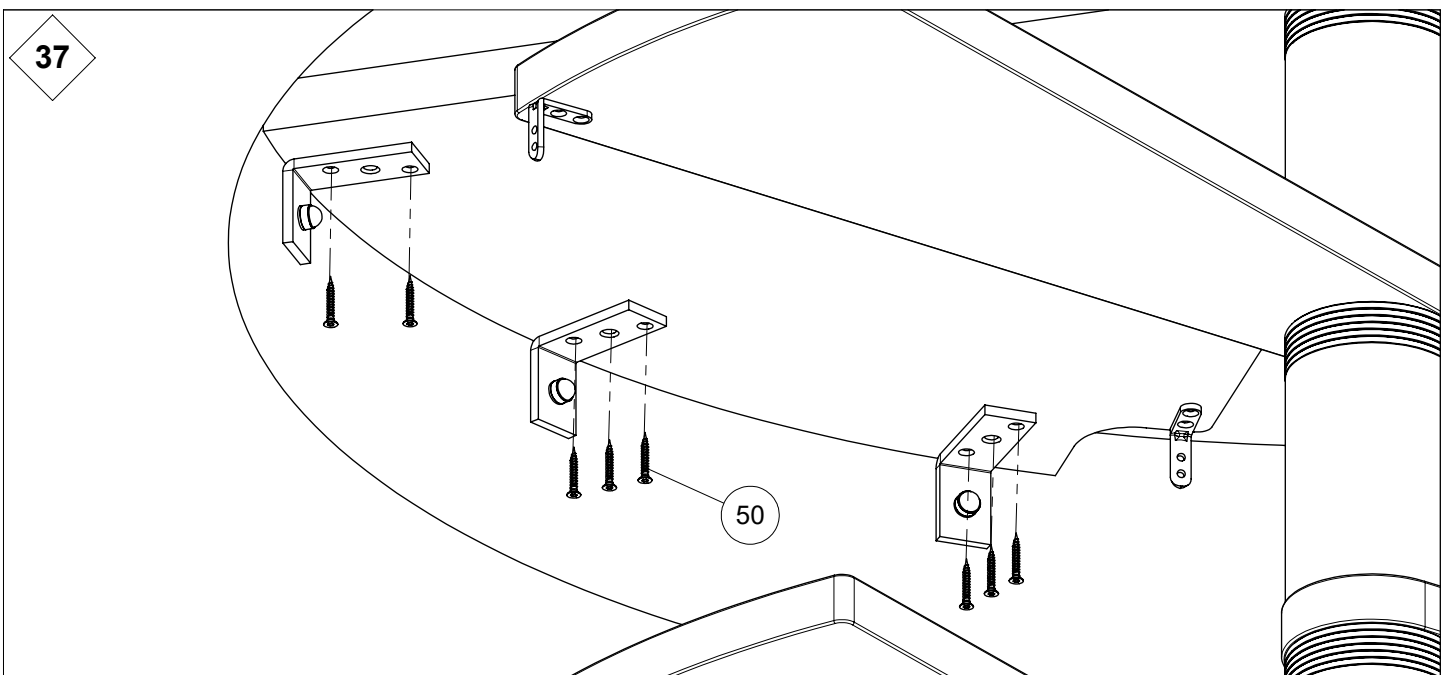
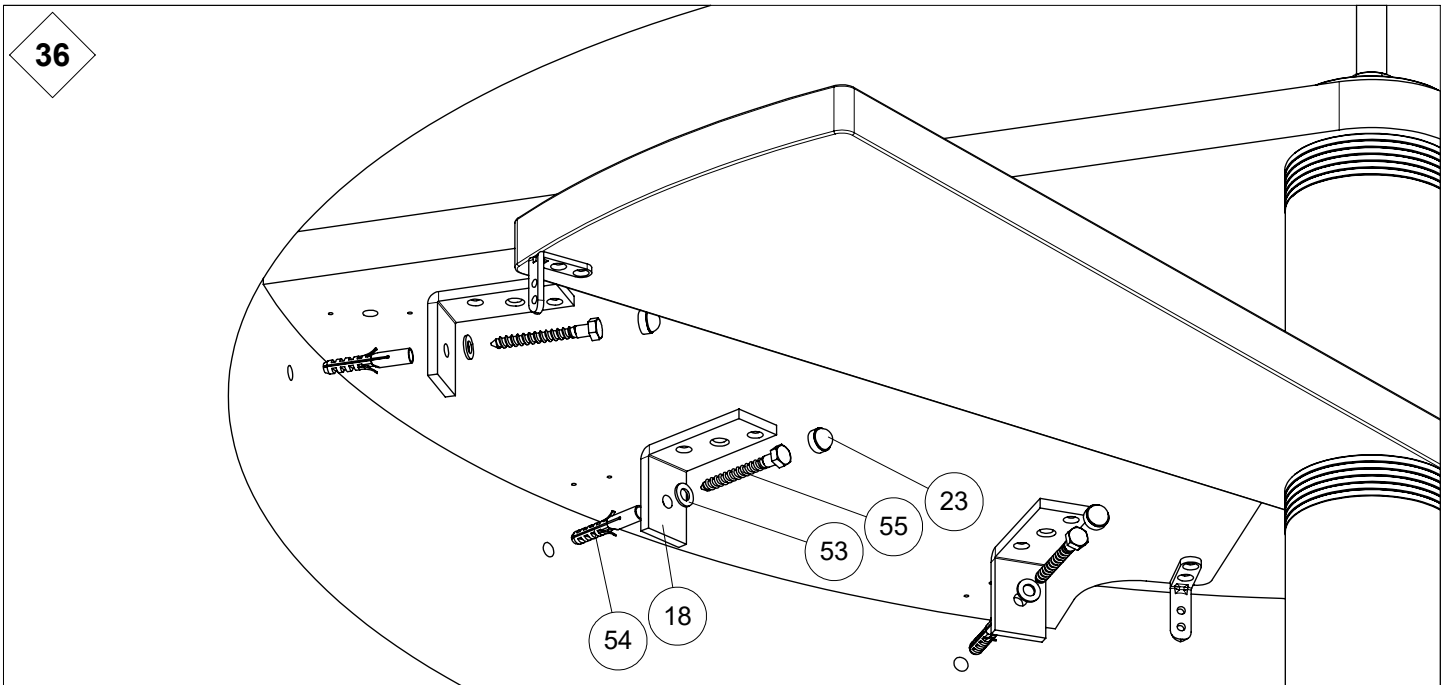
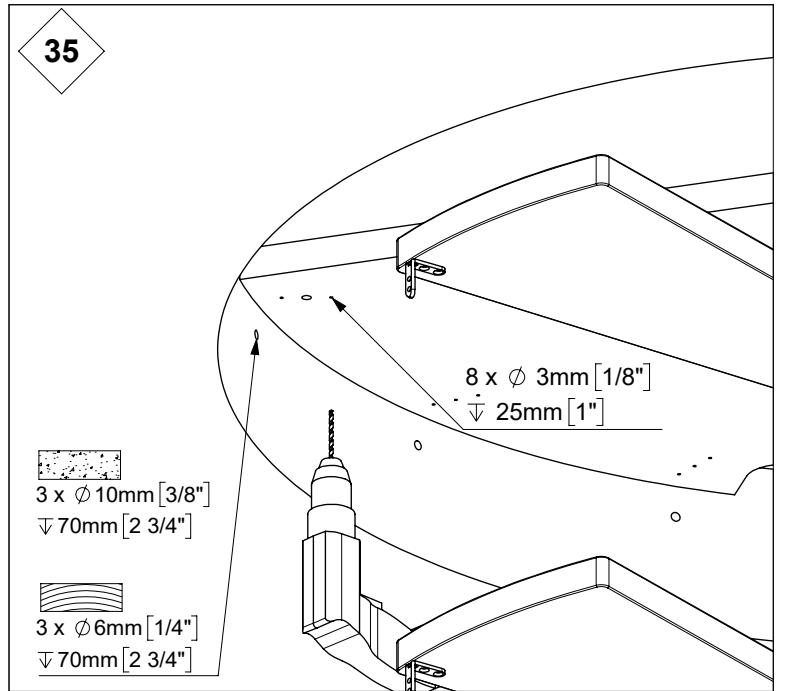
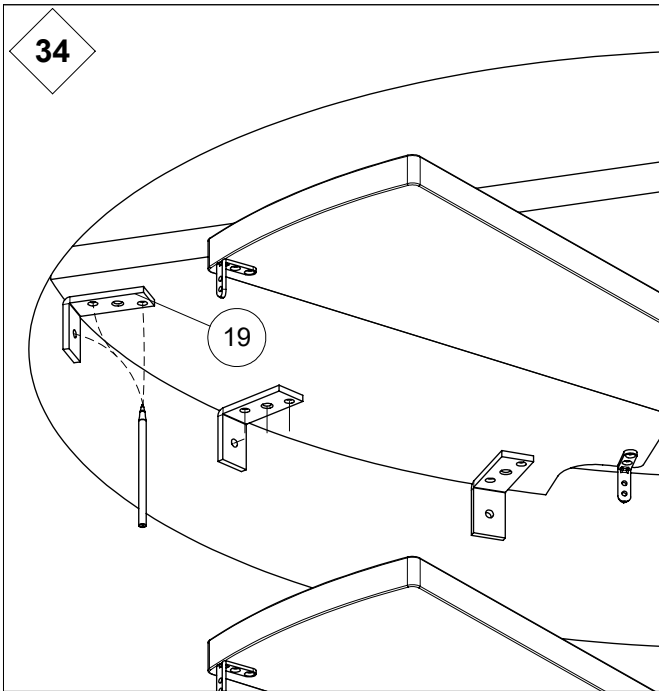
27

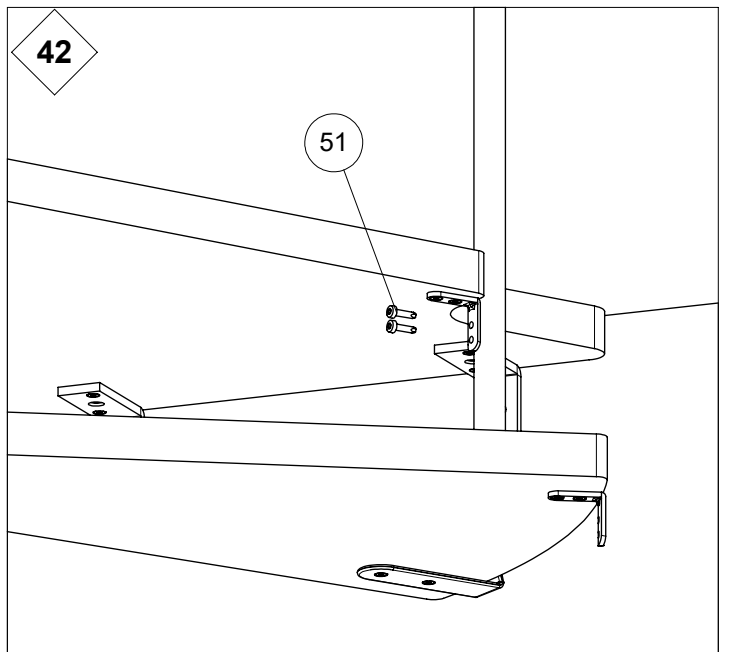
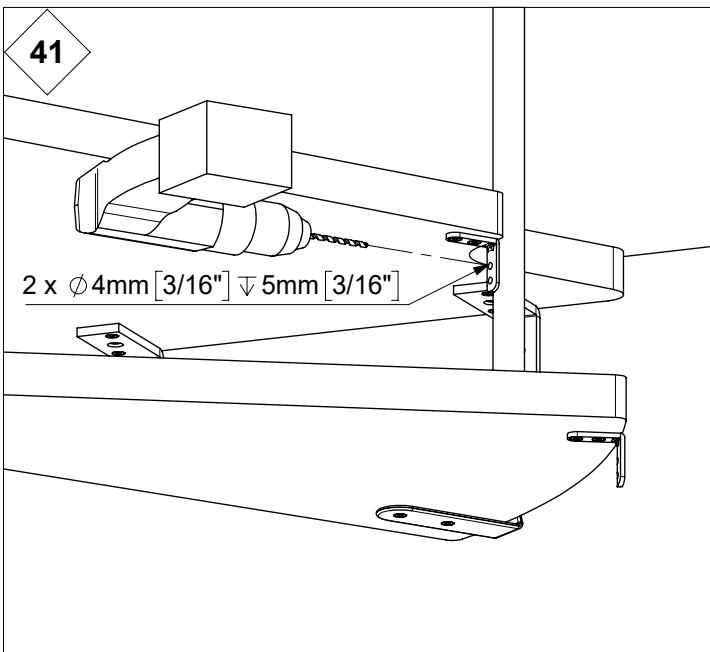
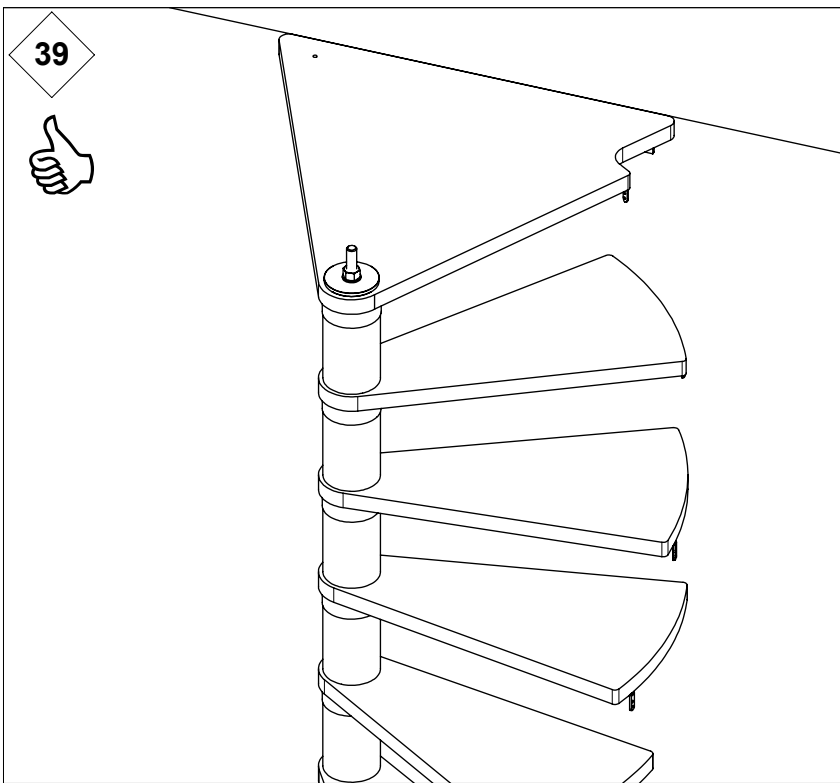
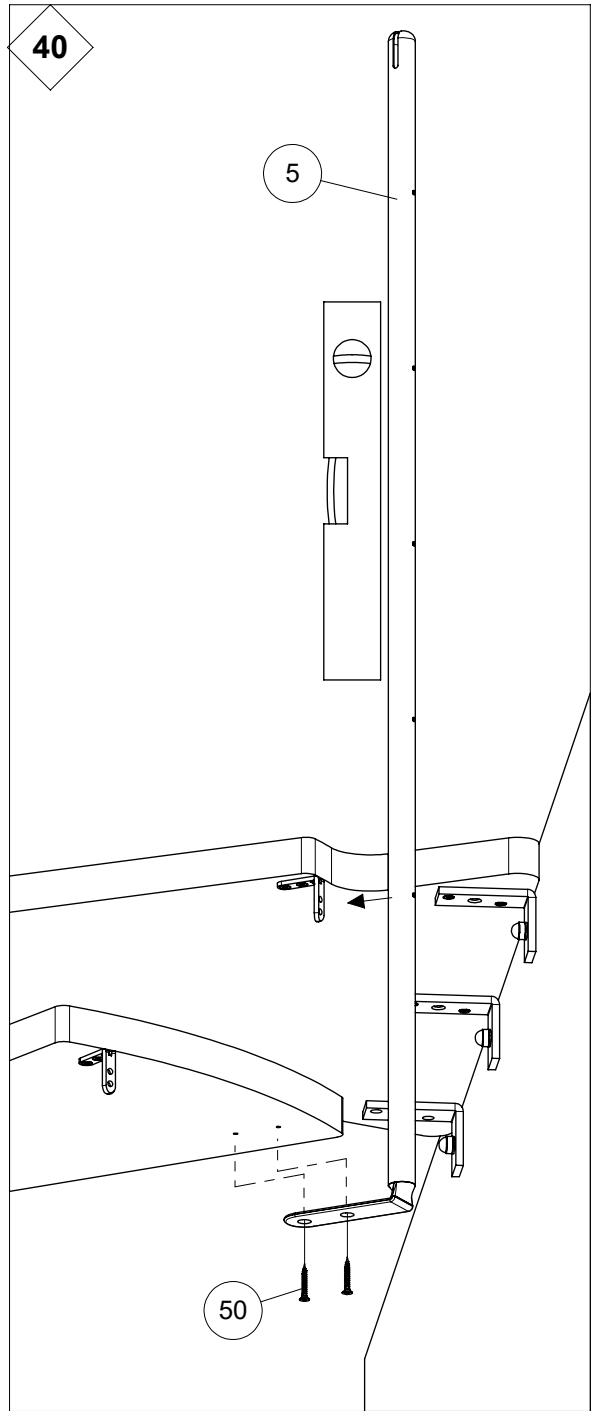
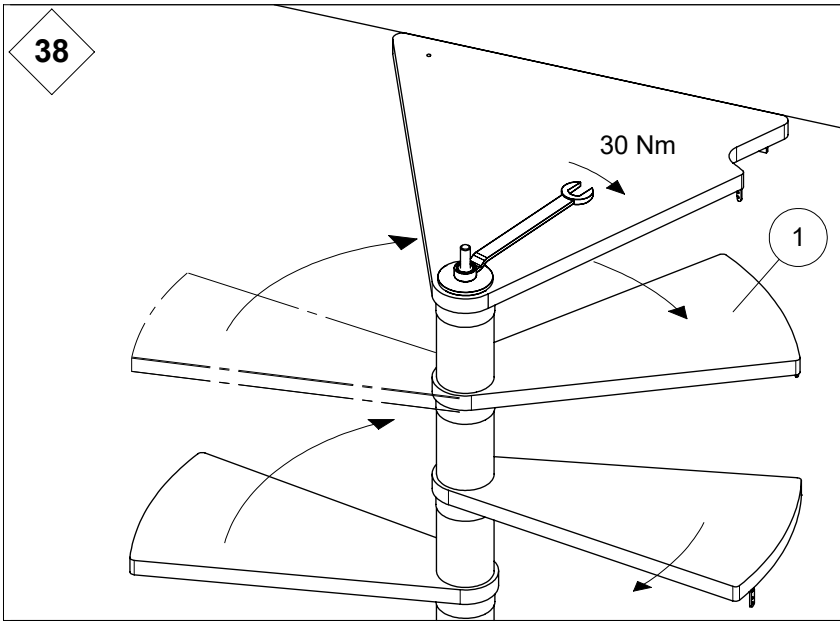


28

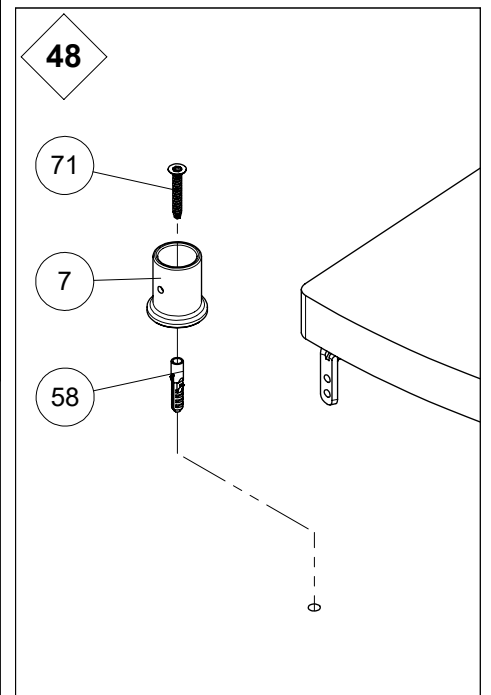
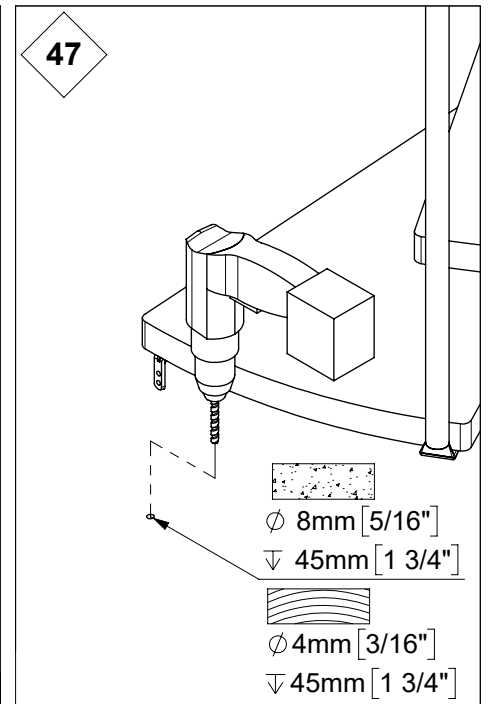
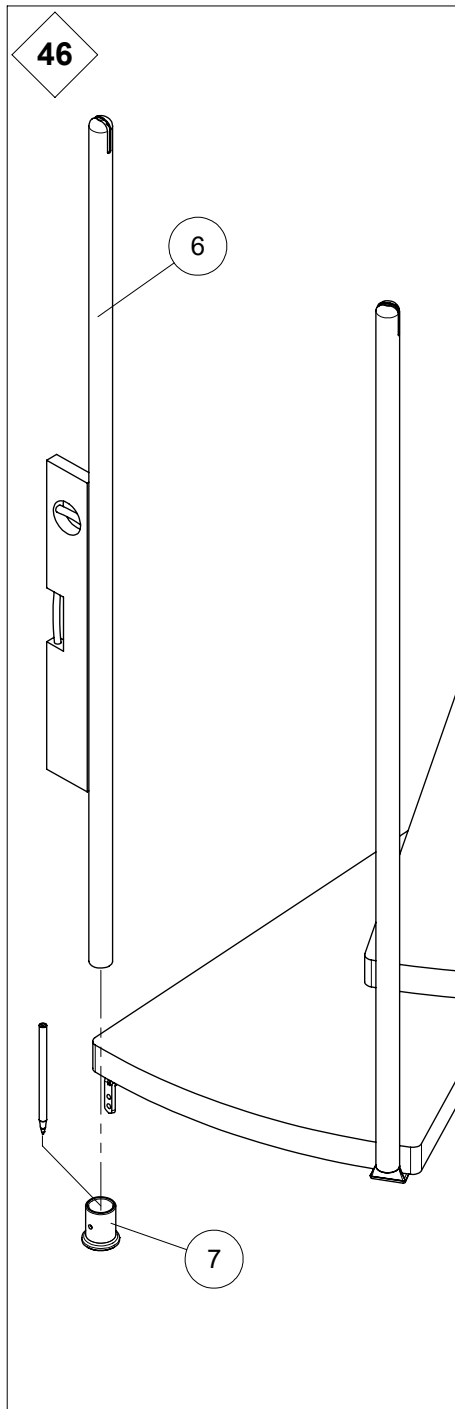
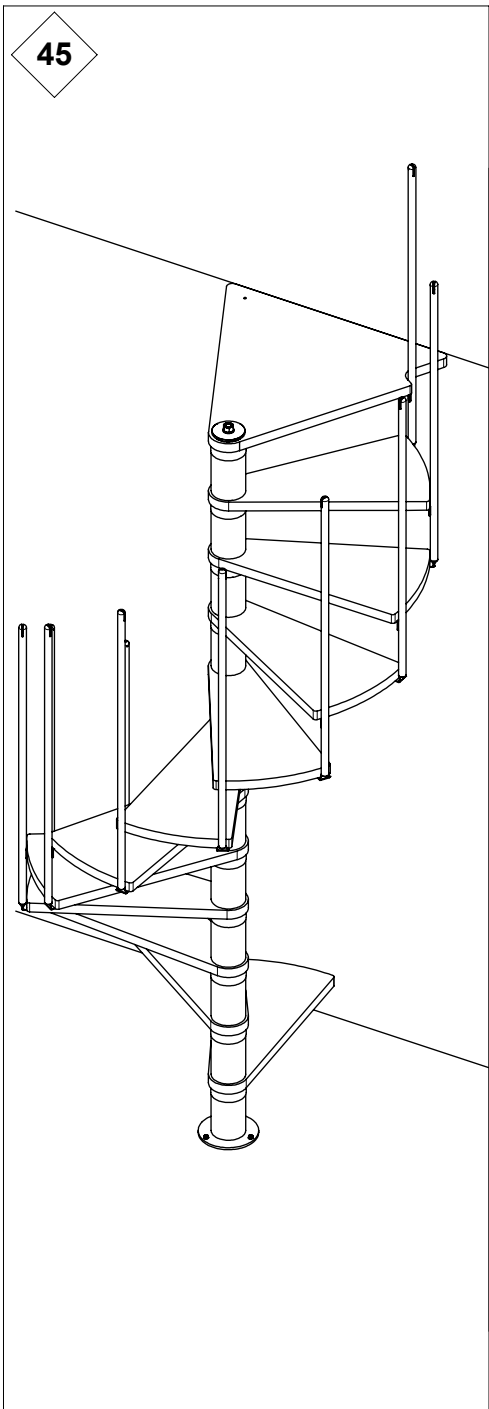
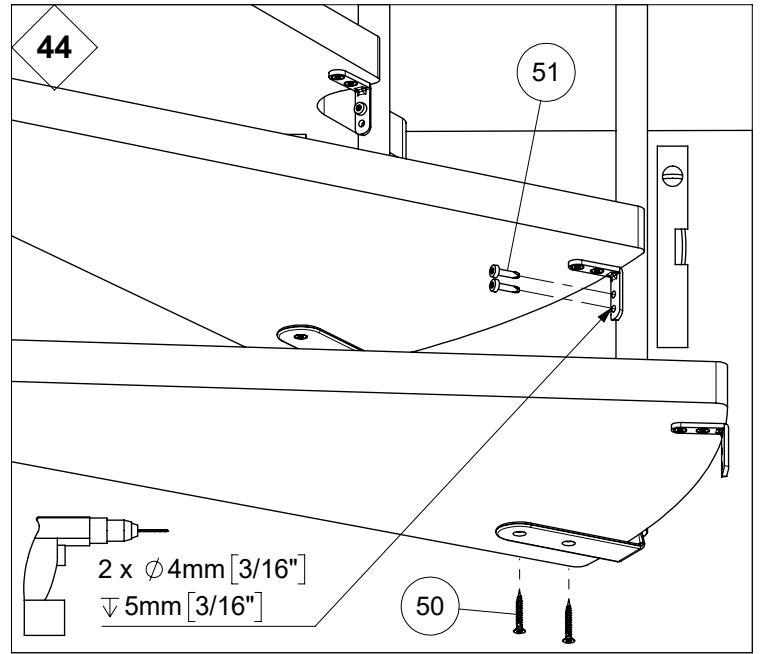
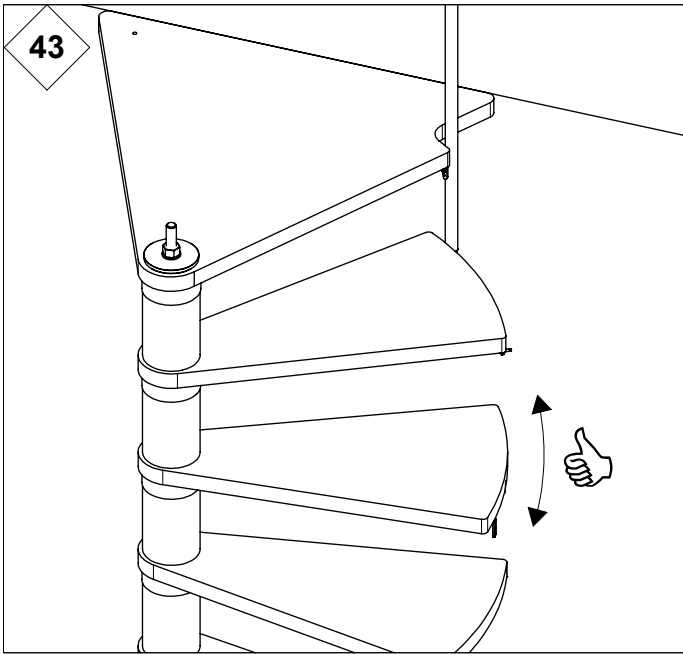




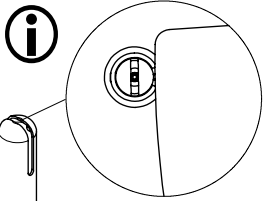








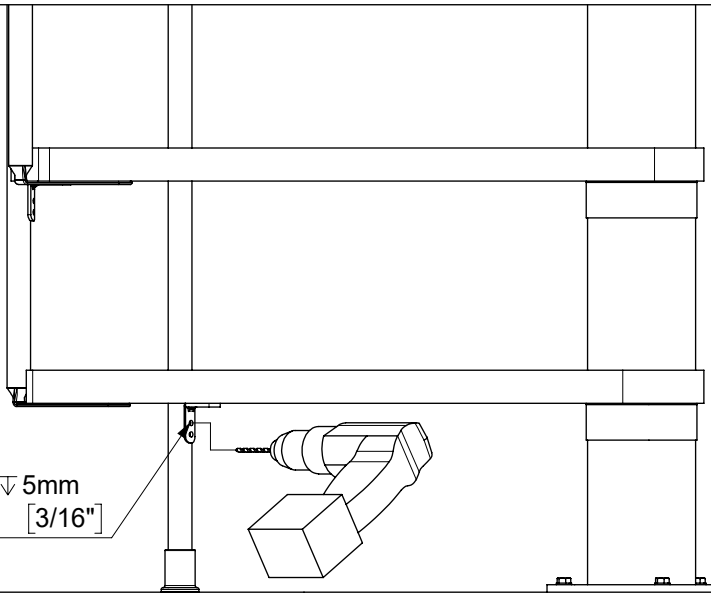
49



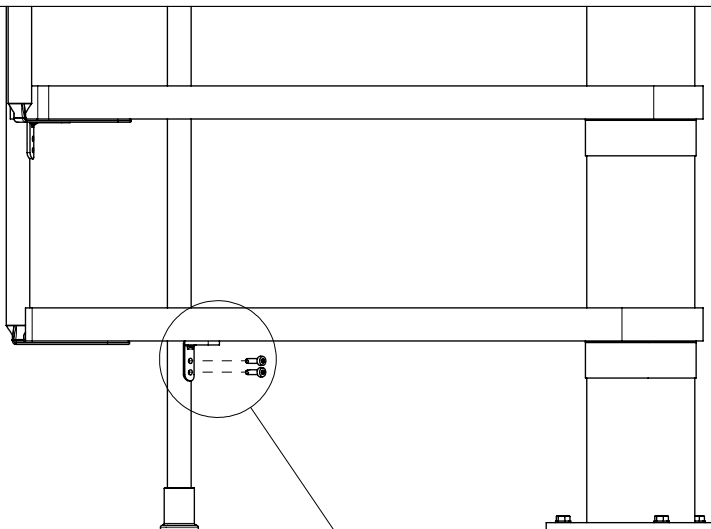
6

50

2 x  $\varnothing 4\text{mm}$   $\nabla 5\text{mm}$   
 $[3/16"]$   $[3/16"]$



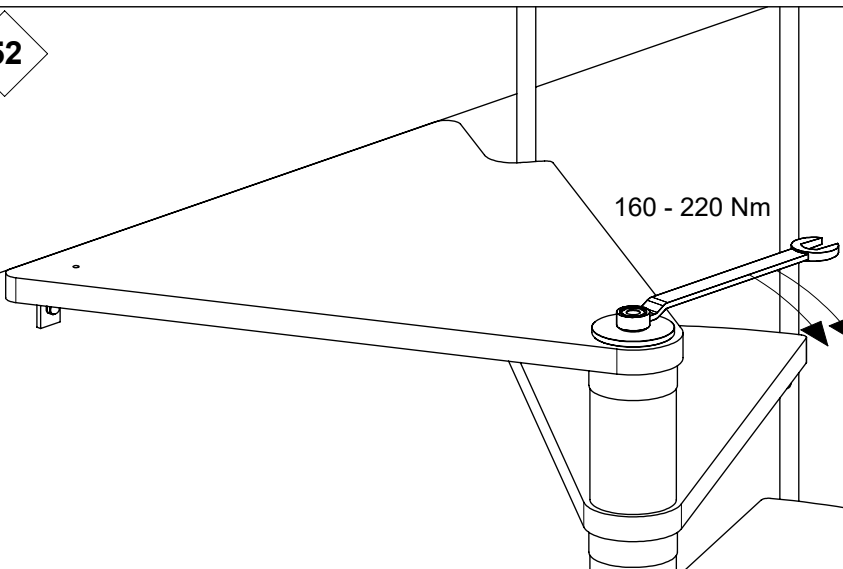
51



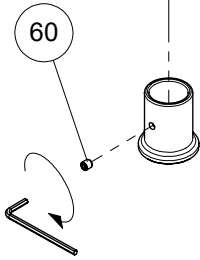
51

52

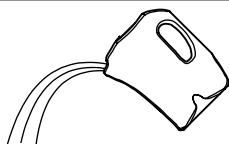
160 - 220 Nm



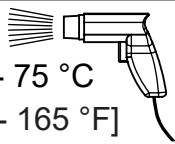
60



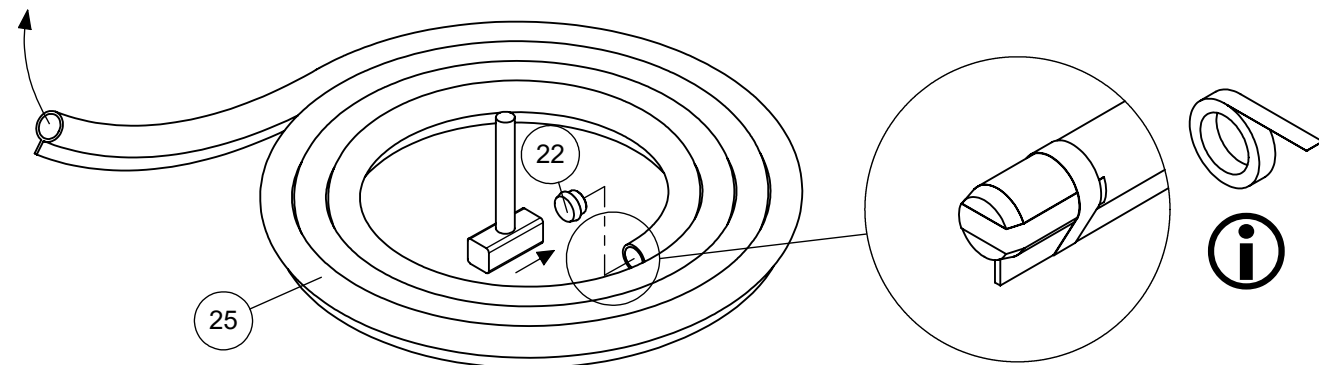
90 °C  
[195 °F]



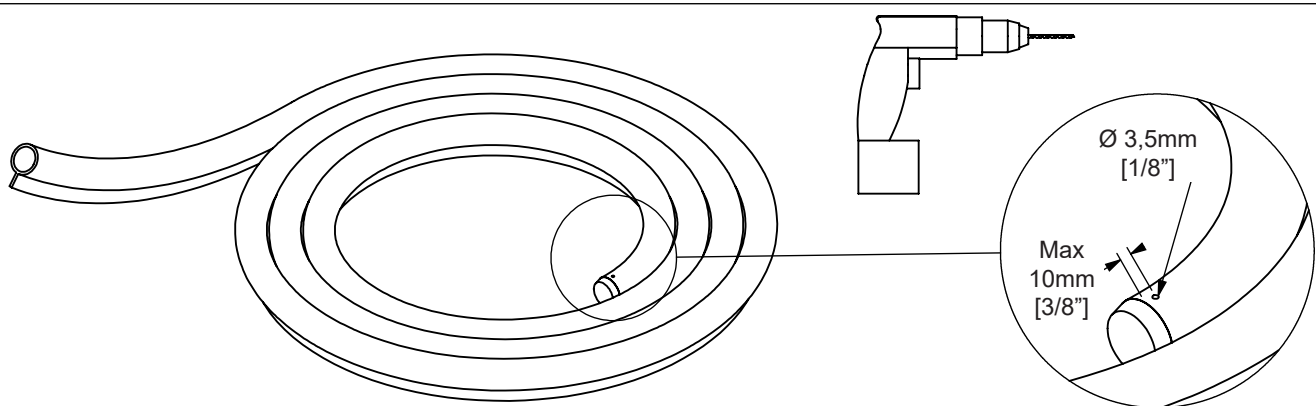
65 - 75 °C  
[150 - 165 °F]



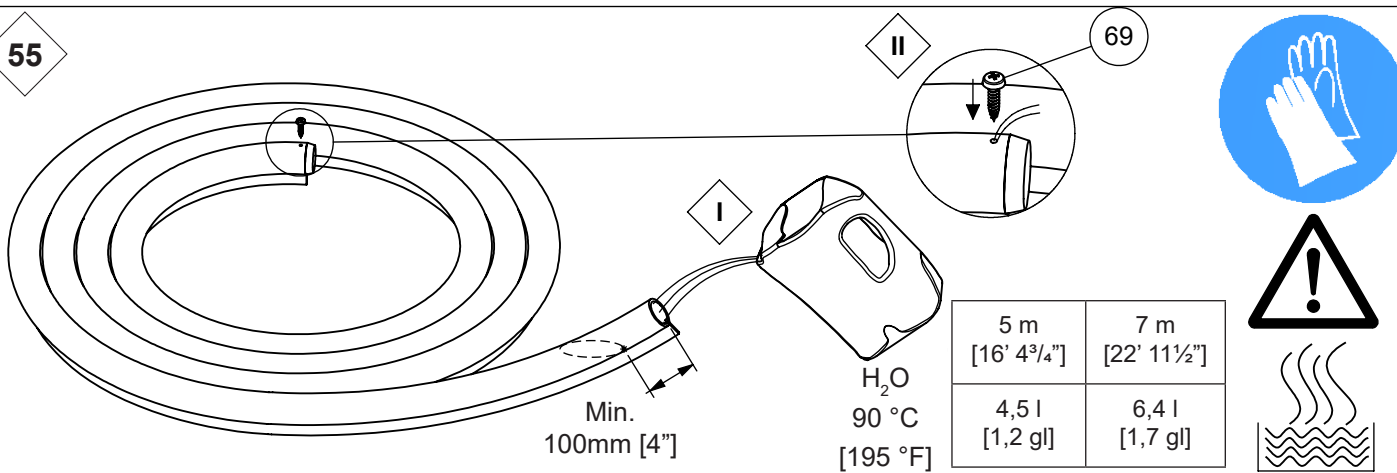
53



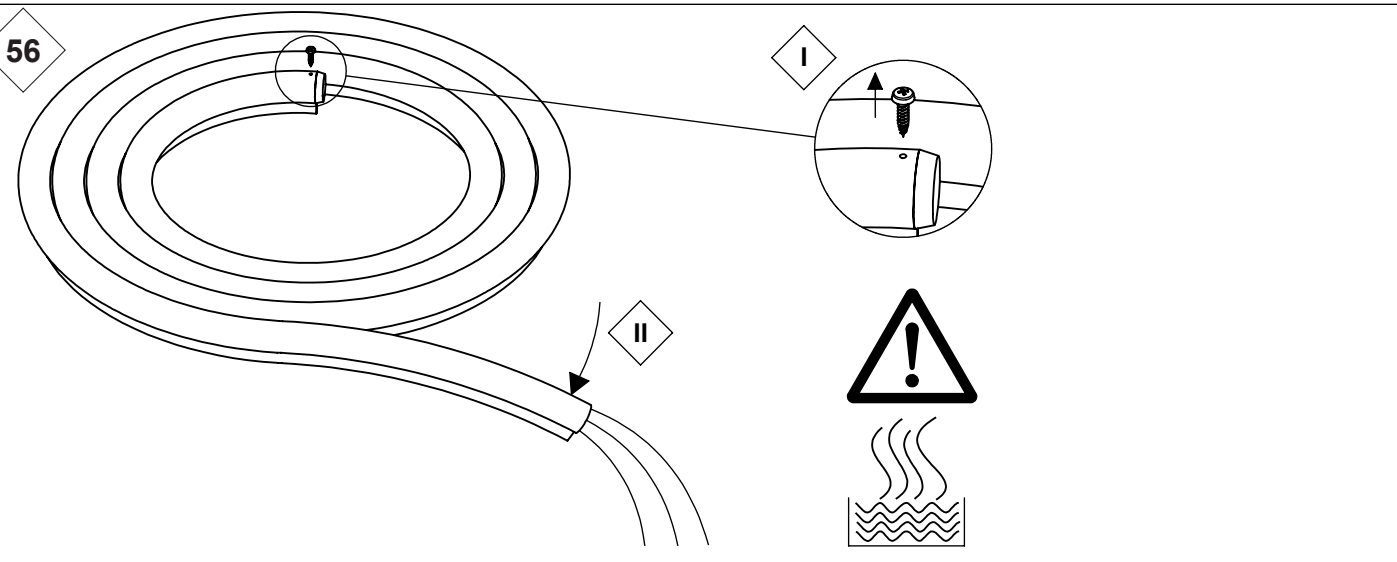
54

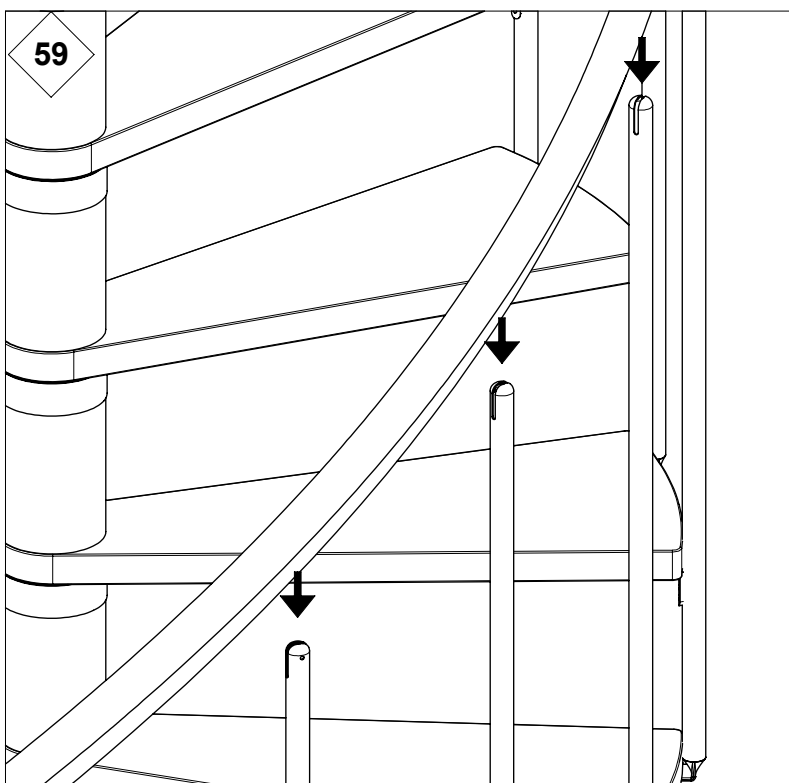
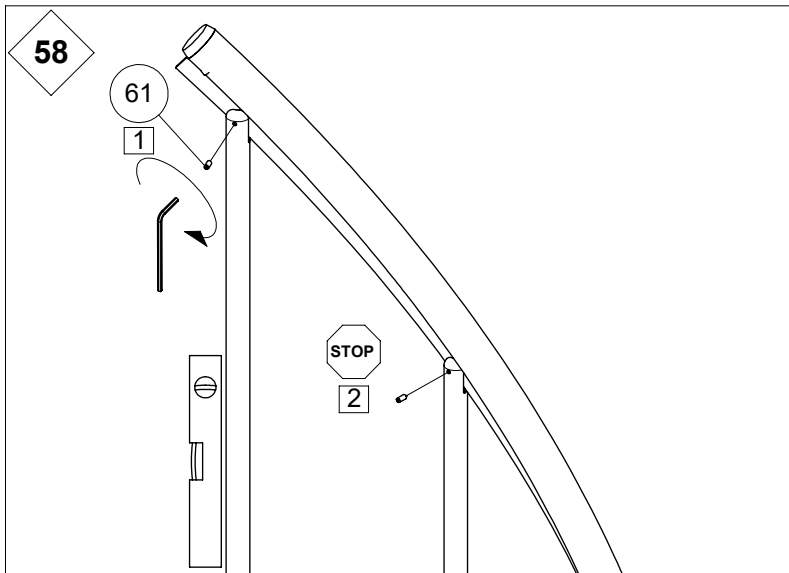
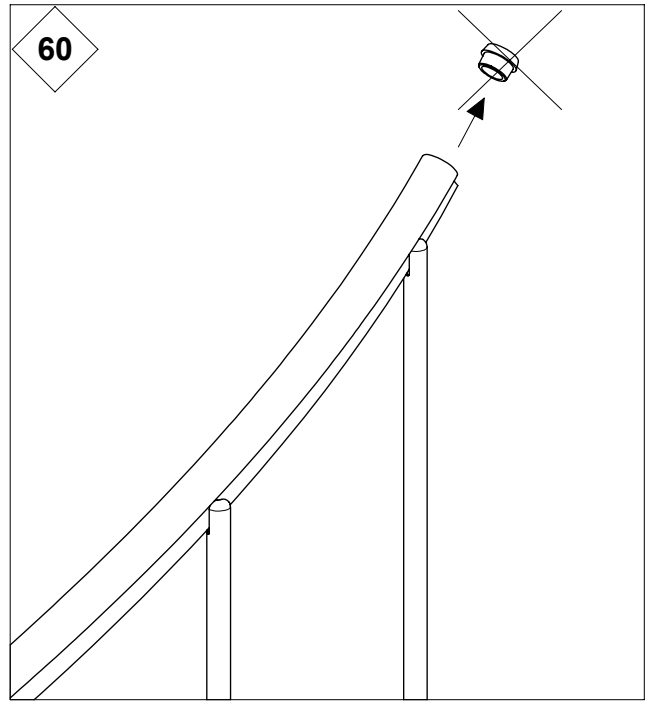
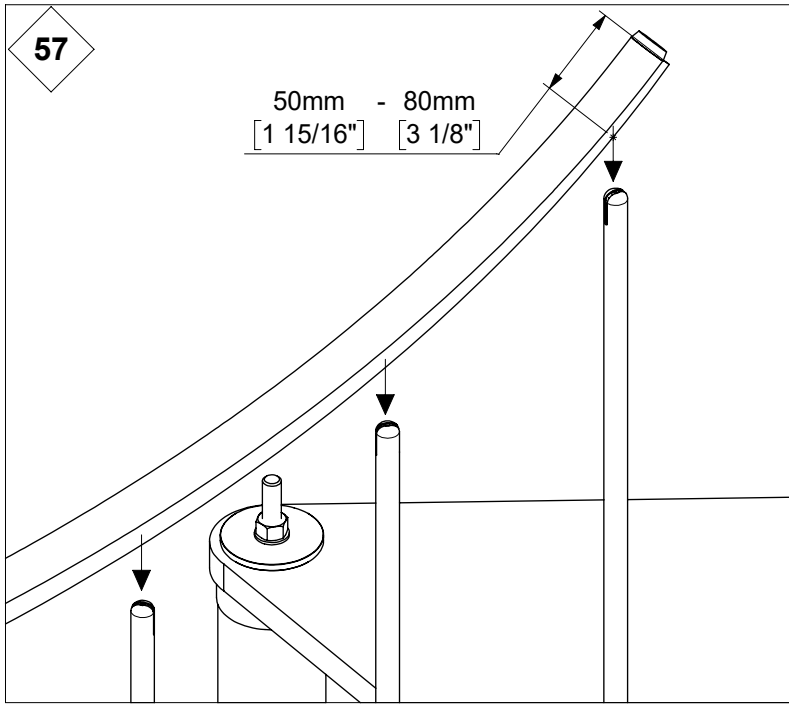


55

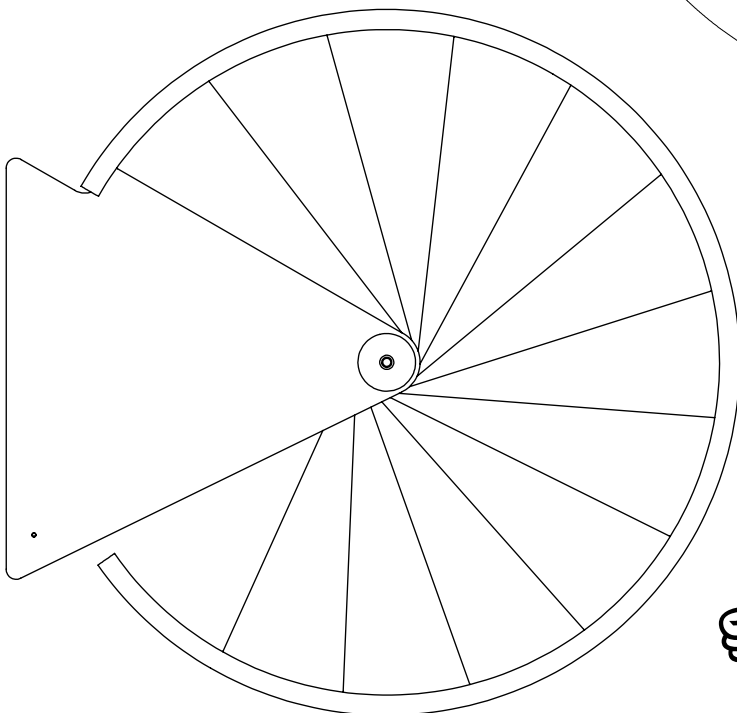
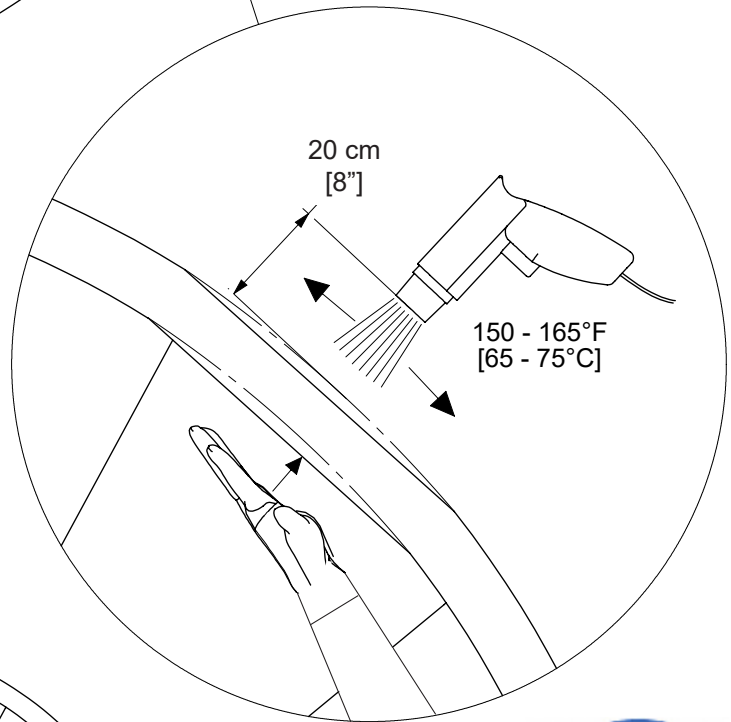
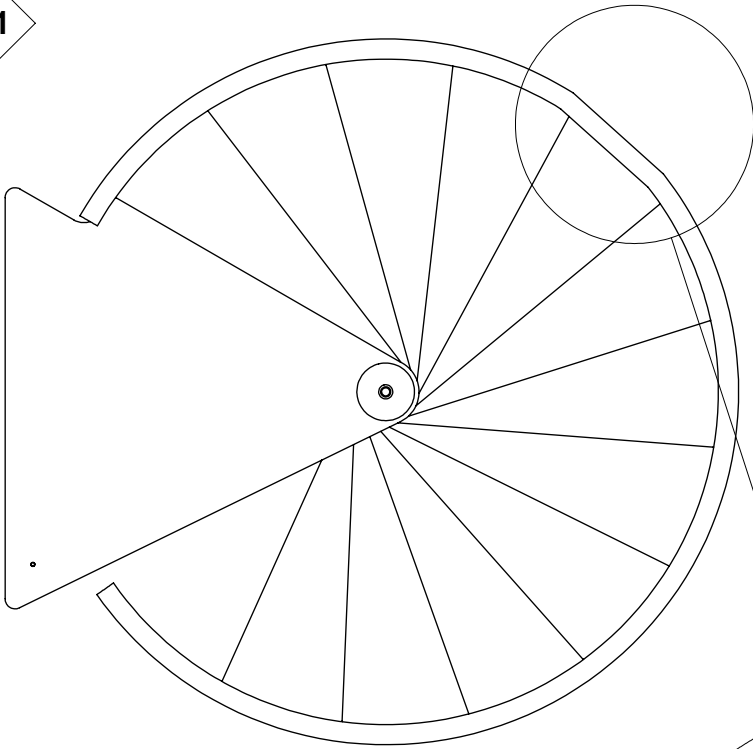


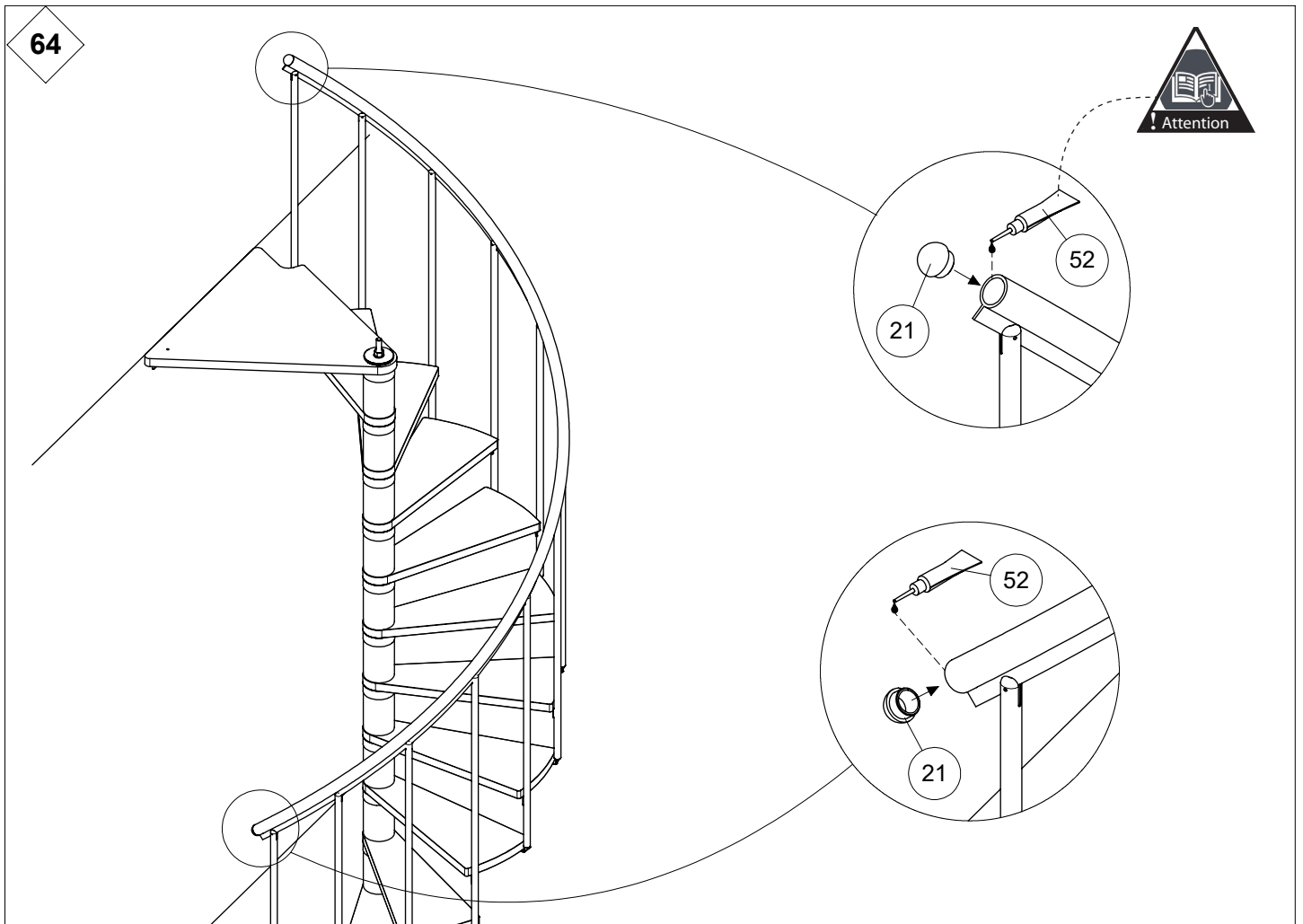
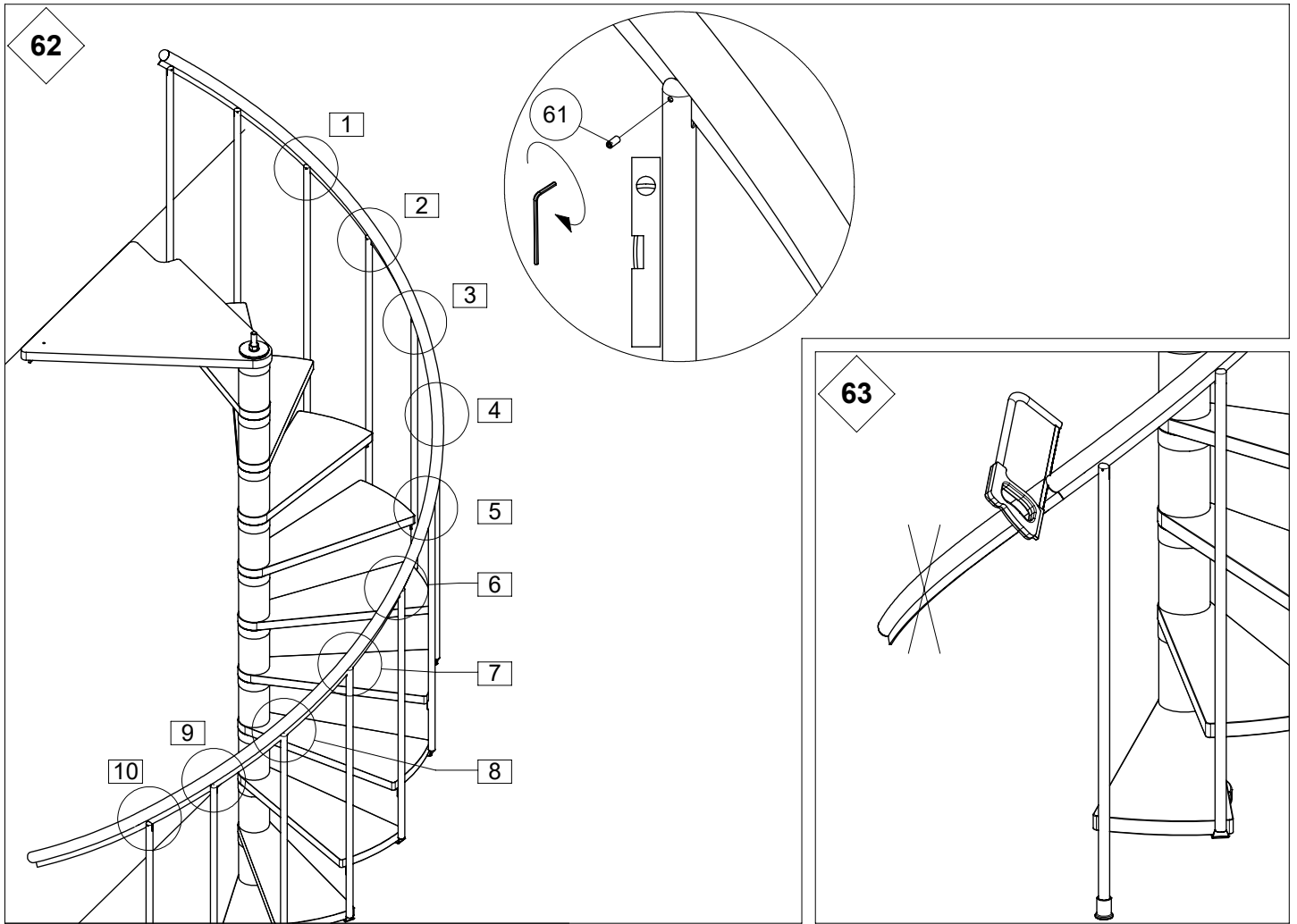
56

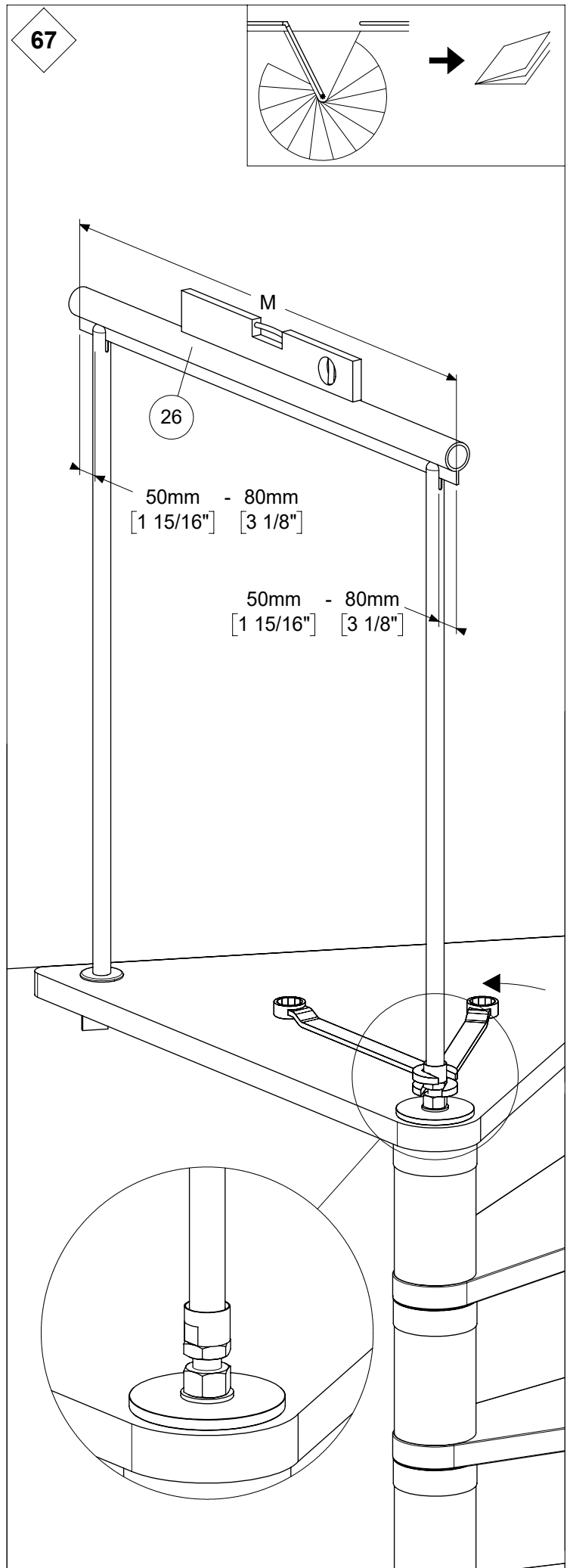
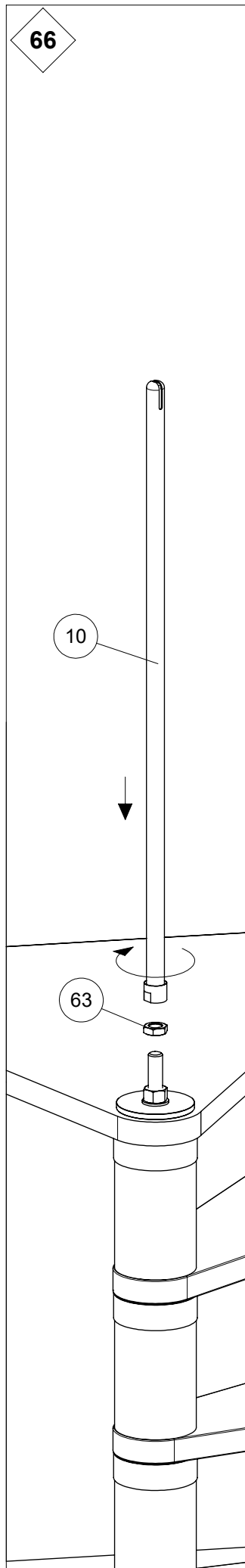
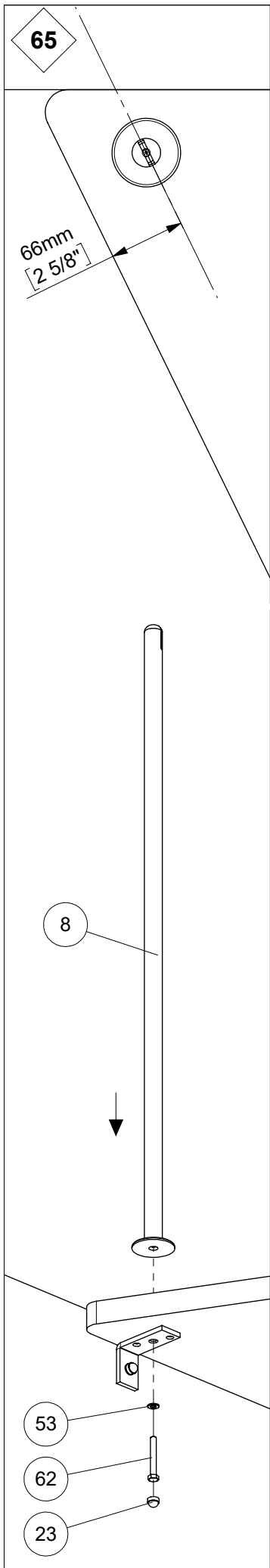




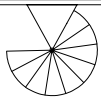
61



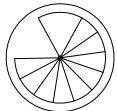
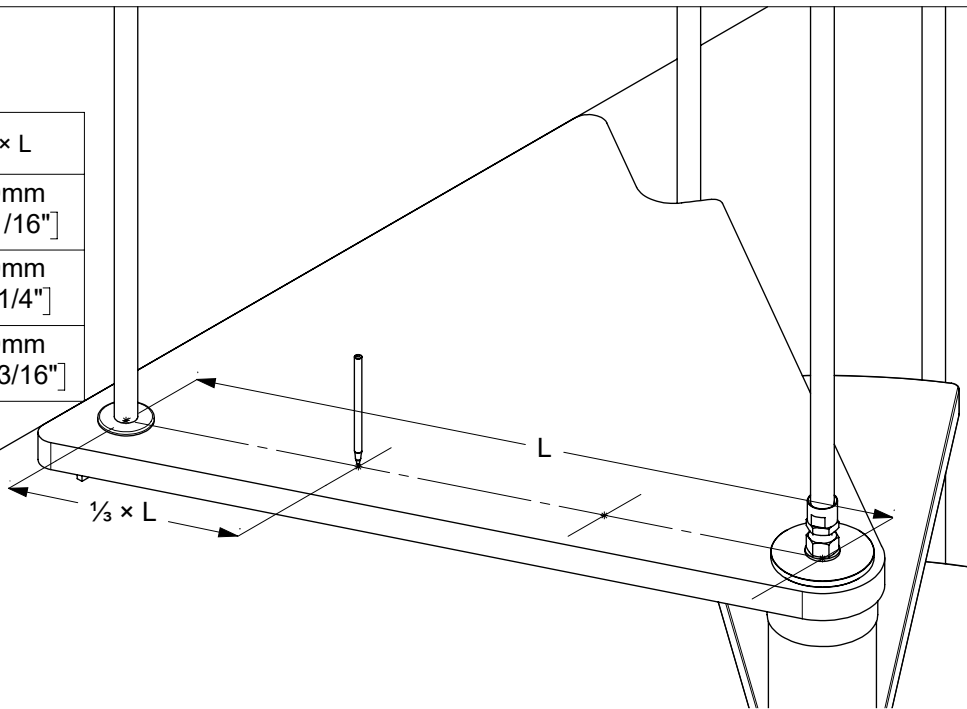




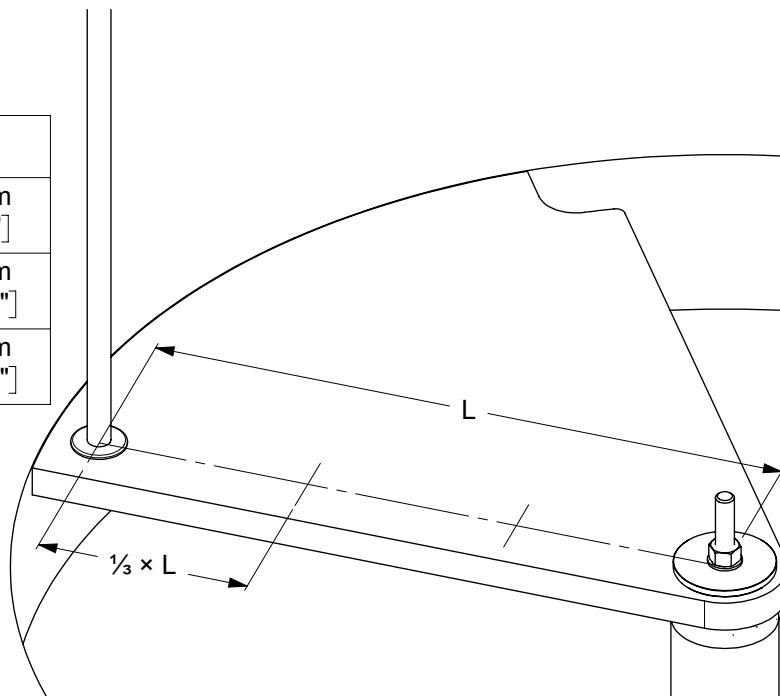
68



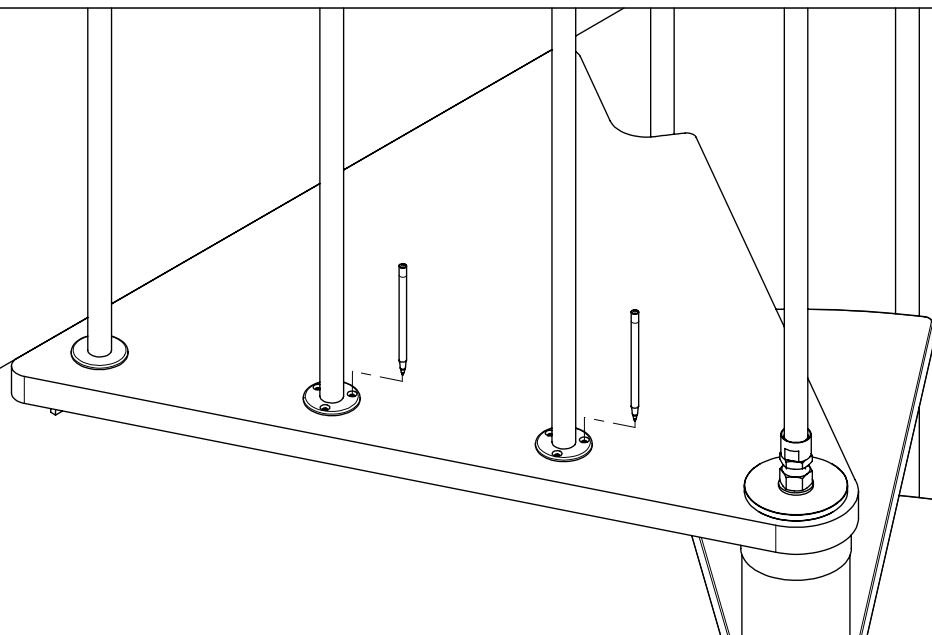
	L	$\frac{1}{3} \times L$
Ø 120cm [47"]	660mm [26"]	220mm [8 11/16"]
Ø 140cm [55"]	780mm [30 11/16"]	260mm [10 1/4"]
Ø 160cm [63"]	900mm [35 7/16"]	300mm [11 13/16"]



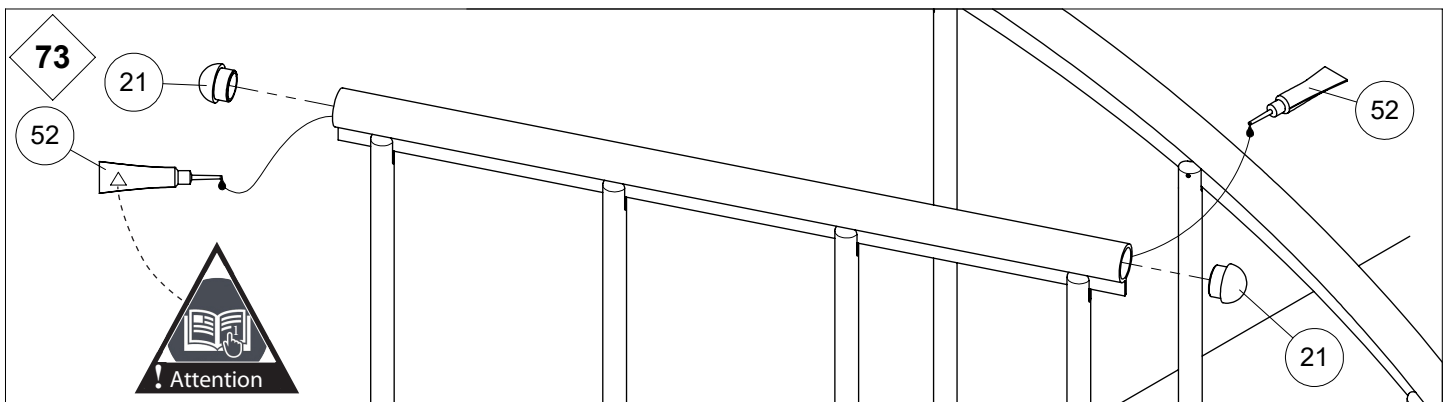
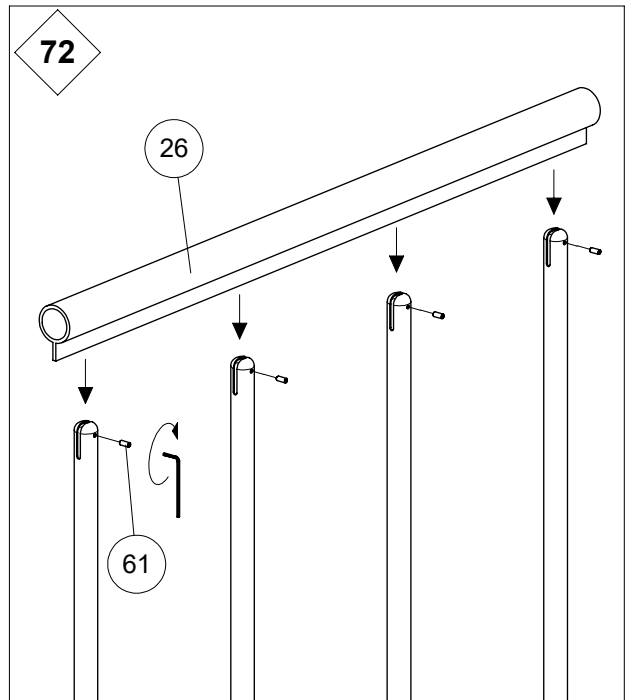
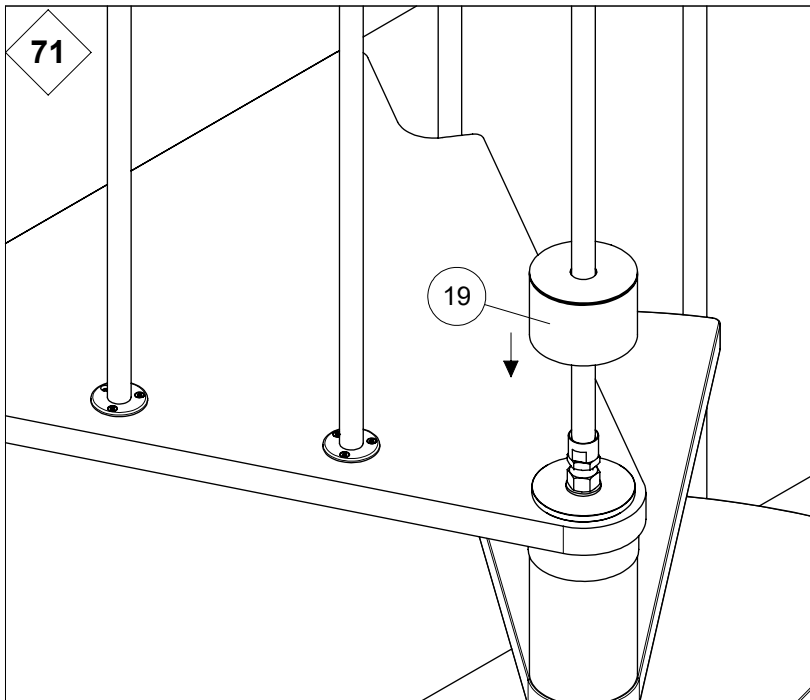
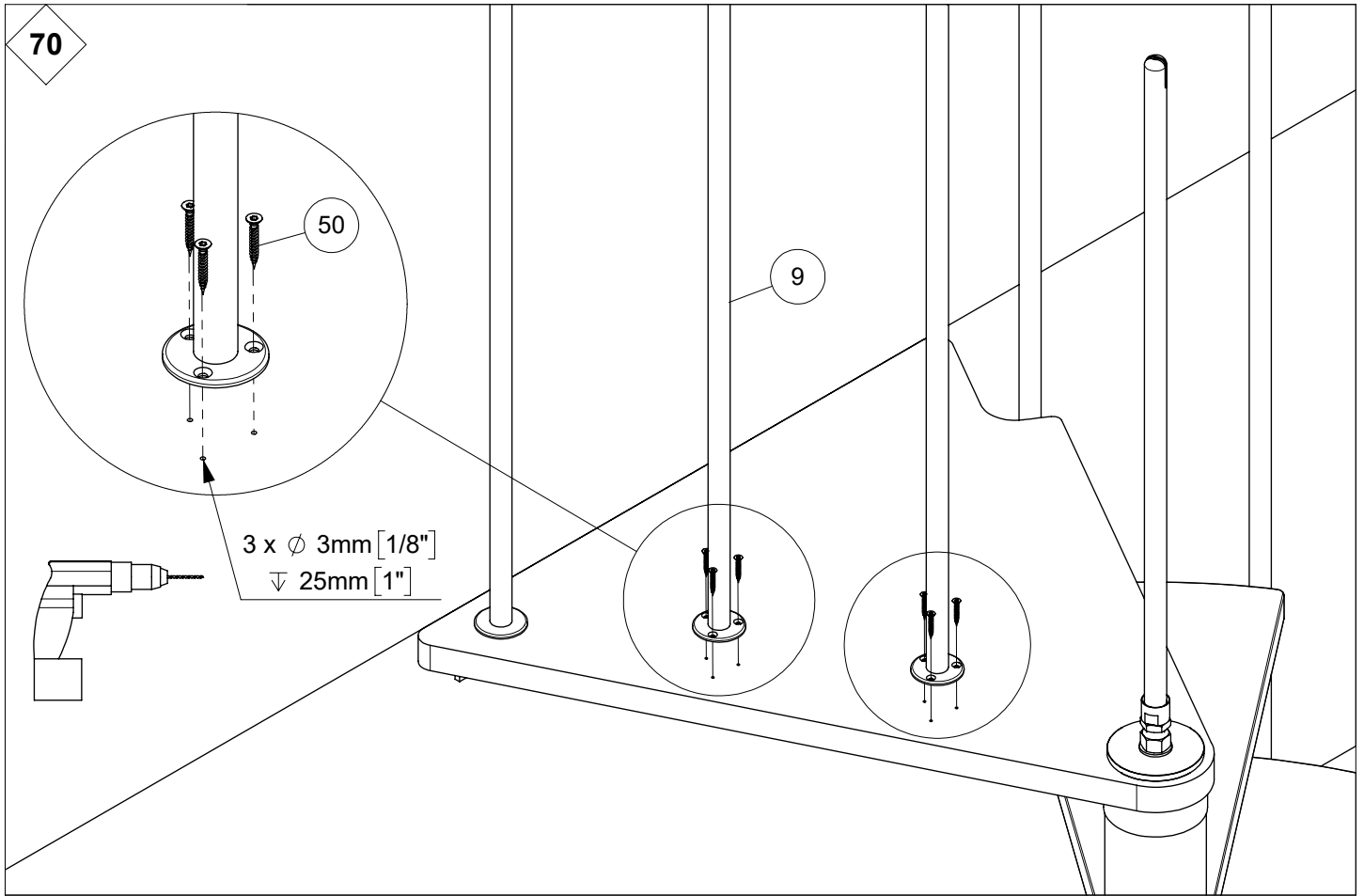
	L	$\frac{1}{3} \times L$
Ø 120 cm [47"]	600mm [23 5/8"]	200mm [7 7/8"]
Ø 140 cm [55"]	700mm [27 9/16"]	233mm [9 3/16"]
Ø 160 cm [63"]	800mm [31 1/2"]	267mm [10 1/2"]

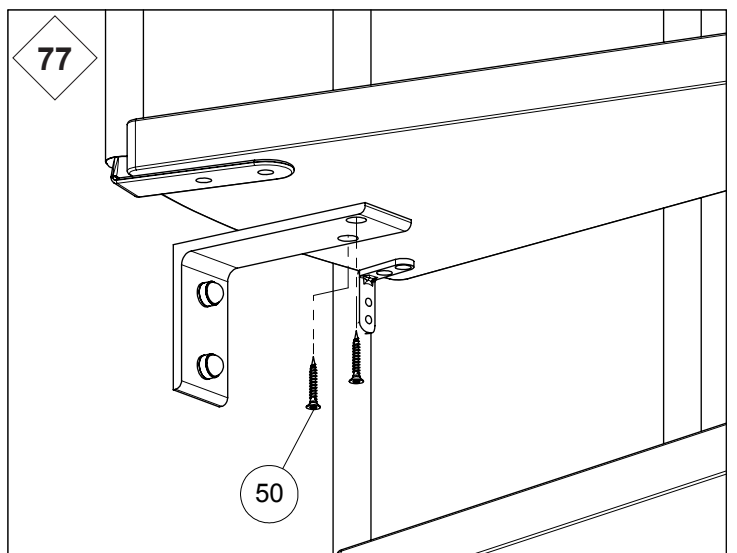
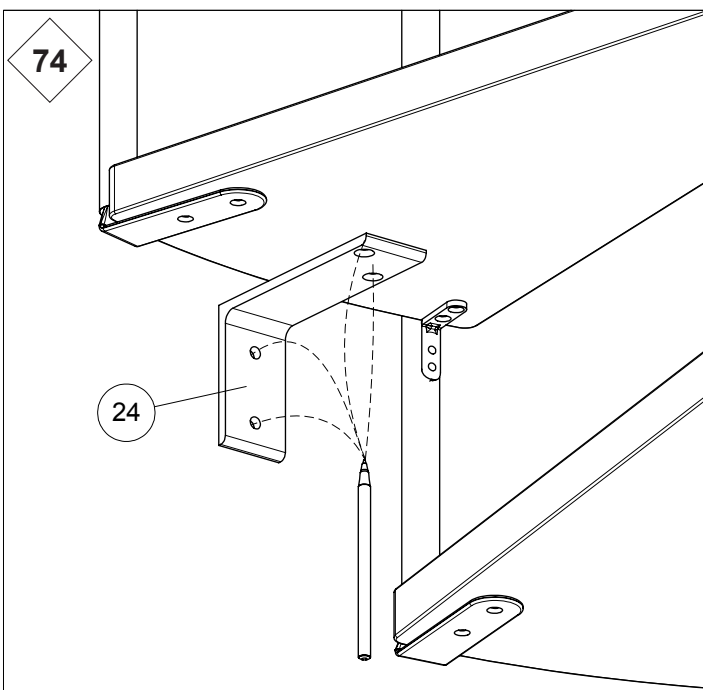
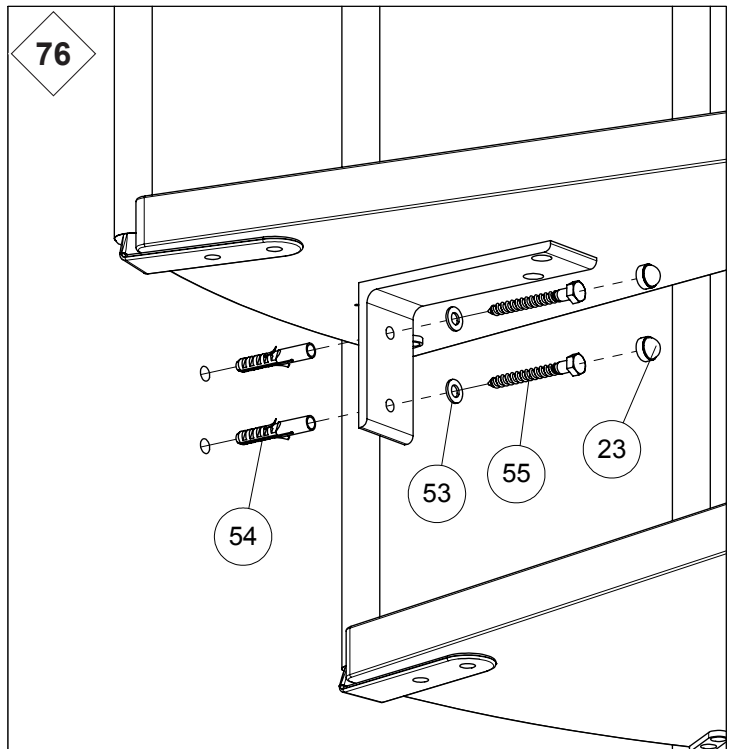
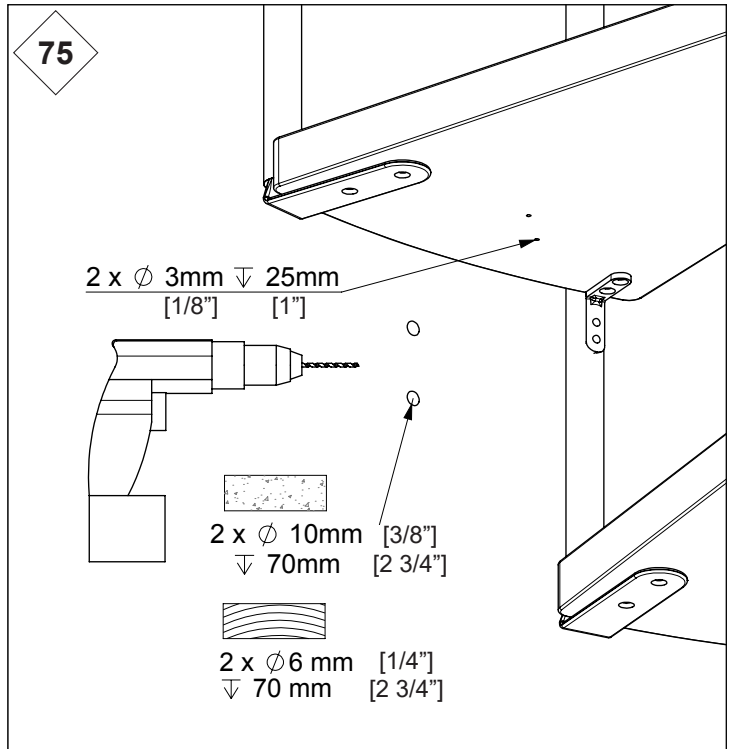
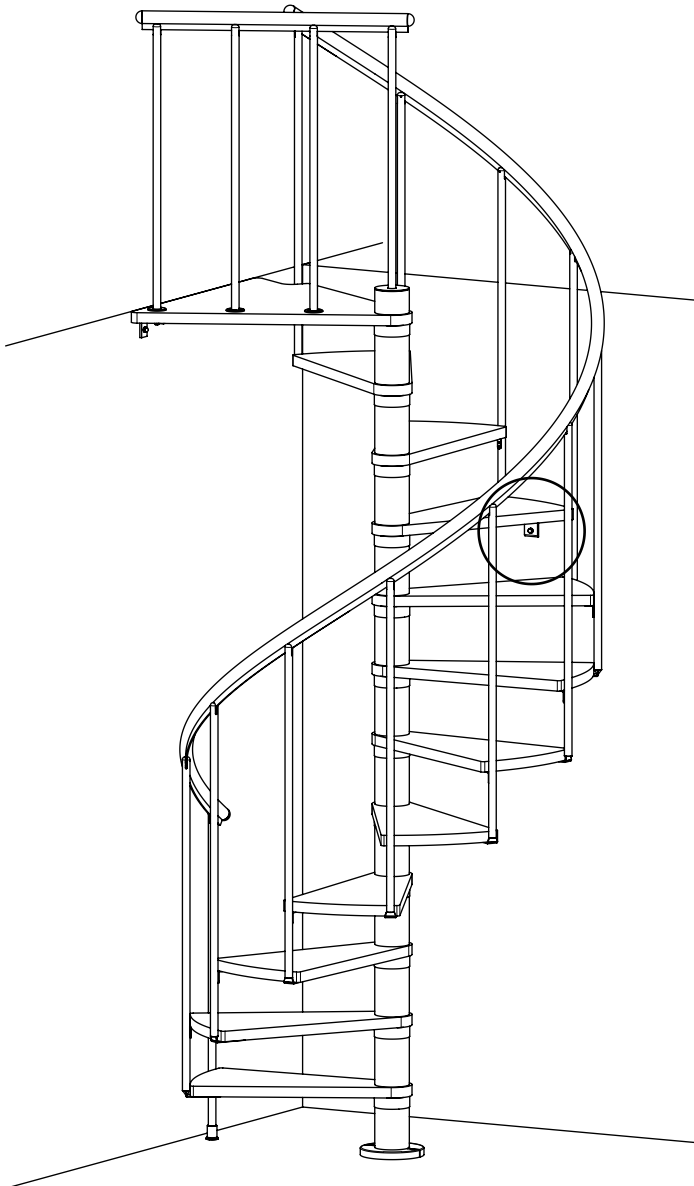


69









78

