



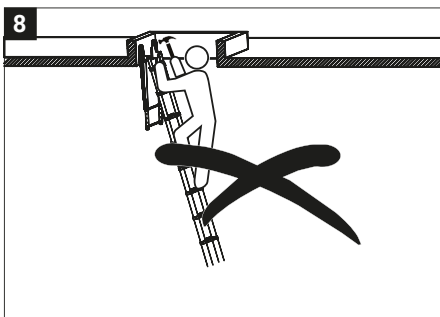
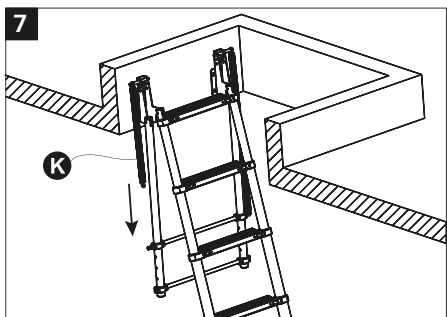
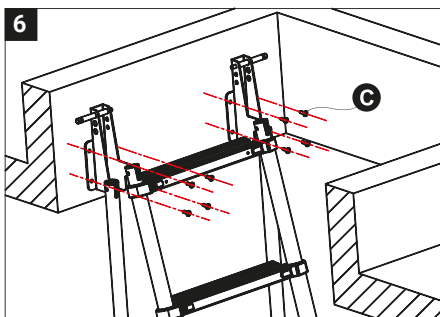
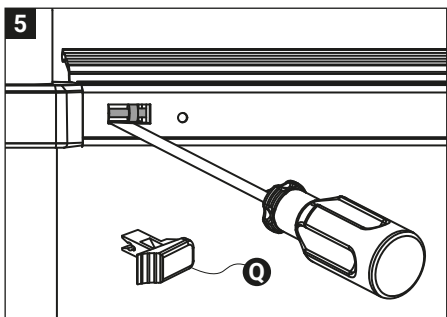
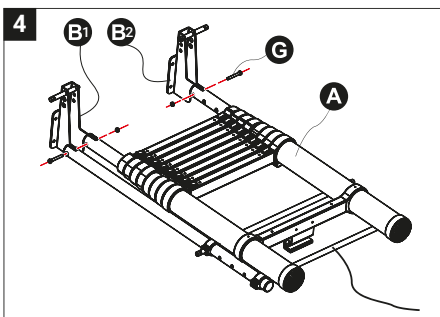
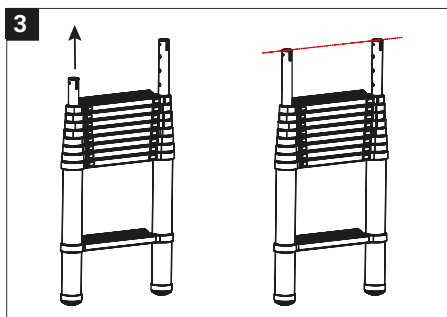
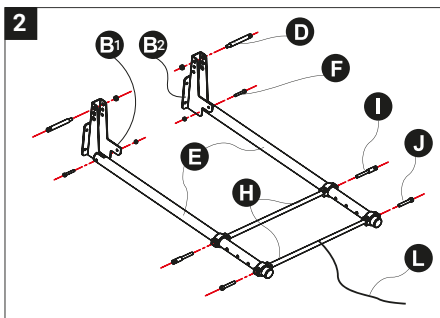
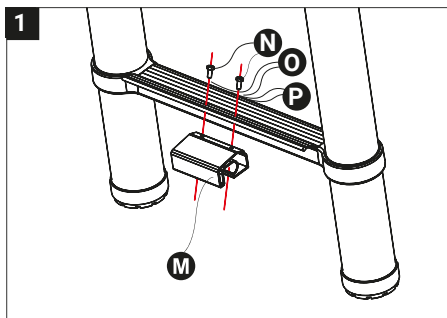
Telescopic Loft Ladder

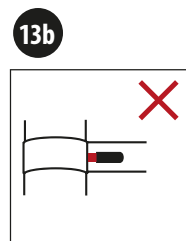
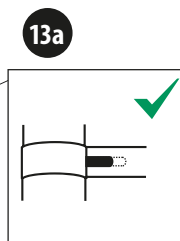
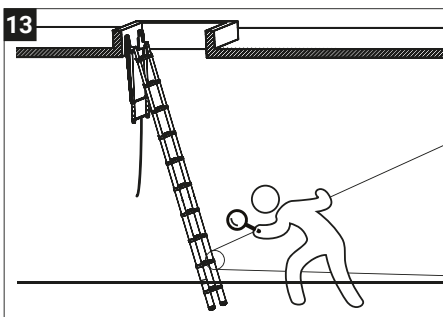
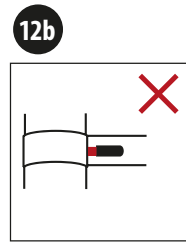
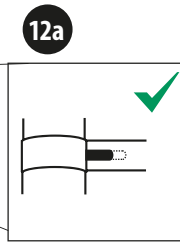
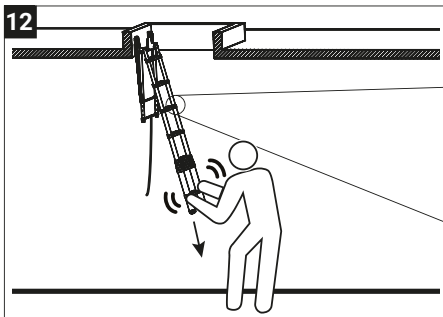
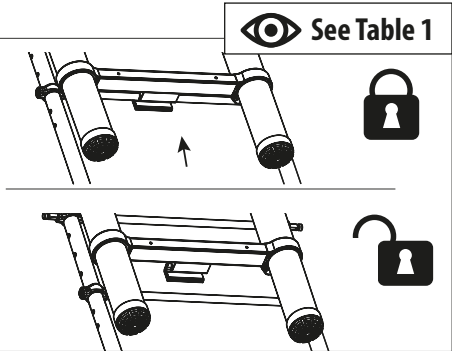
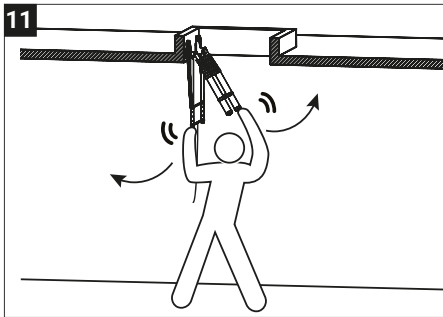
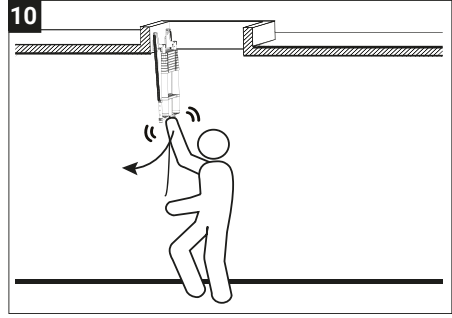
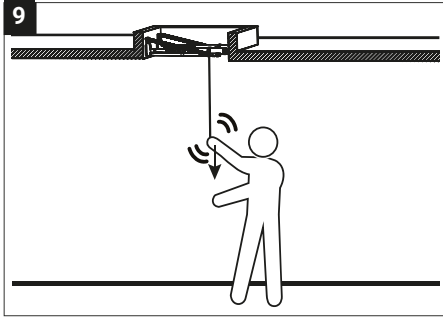
Installation Instructions



BPS Access Solutions
Unit 8 – Highams Hill Farm
Sheepbarn Lane
Warlingham
Surrey
CR6 9PQ

Tel: 0333 006 9776





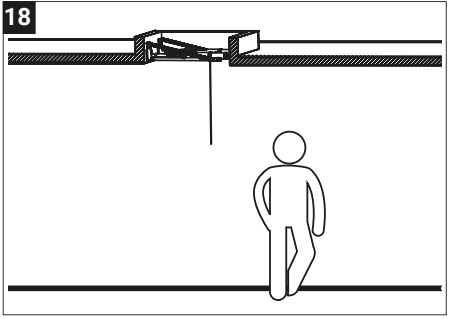
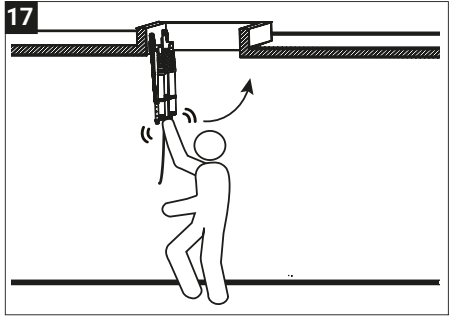
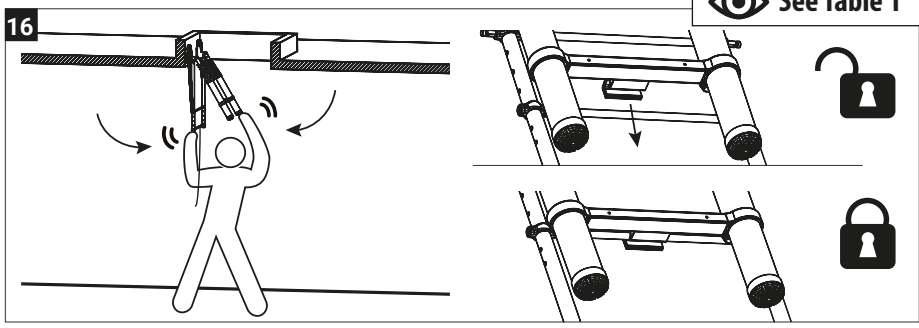
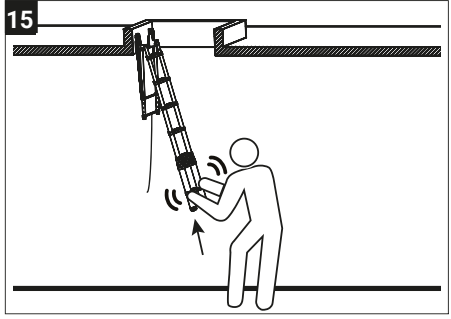
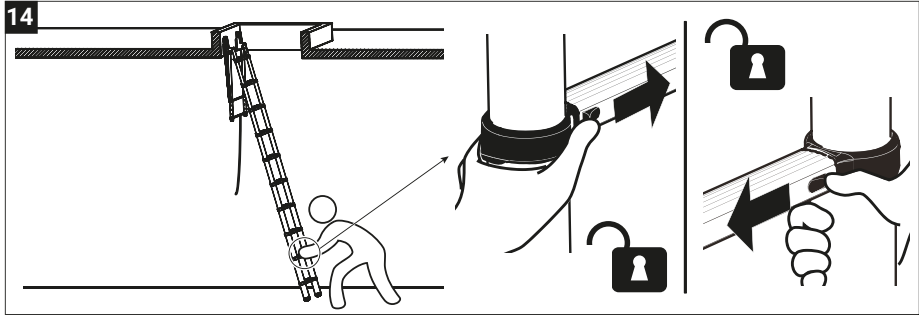
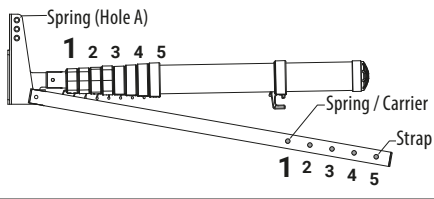
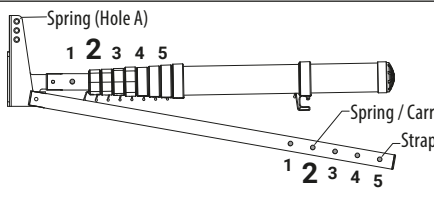
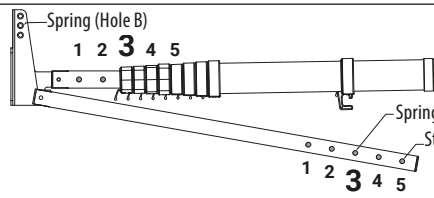
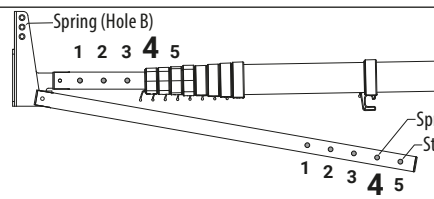
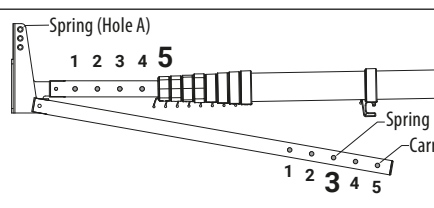
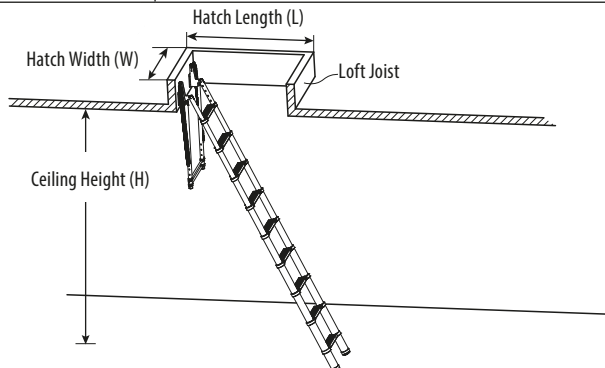


Table 1

Carriage/Ladder Configuration

<p>H:231~247 cm L:90.5 cm W:60 cm</p>	 <p>Spring (Hole A) 1 2 3 4 5 Spring / Carrier Strap 1 2 3 4 5</p>
<p>H:235~251 cm L:92.5 cm W:60 cm</p>	 <p>Spring (Hole A) 1 2 3 4 5 Spring / Carrier Strap 1 2 3 4 5</p>
<p>H:240~256 cm L:97.5 cm W:60 cm</p>	 <p>Spring (Hole B) 1 2 3 4 5 Spring / Carrier Strap 1 2 3 4 5</p>
<p>H:244~261 cm L:102.5 cm W:60 cm</p>	 <p>Spring (Hole B) 1 2 3 4 5 Spring / Carrier Strap 1 2 3 4 5</p>
<p>H:249~266 cm L:107.5 cm W:60 cm</p>	 <p>Spring (Hole A) 1 2 3 4 5 Spring Carrier / Strap 1 2 3 4 5</p>



Pack contents/product parts

- A. Ladder
- B. Left & right mounting bracket
- C. Mounting brackets screw, 8 × M6x25
- D. Bracket spring bolt and nut, 2 × M8x15
- E. Stowage frame tube, 2 ×
- F. Bolt and nut, 4 × M6x40
- G. Bolt and nut, 4 × M6x45
- H. Carrier tube, 2 ×
- I. Frame tube spring bolt, 2 × M8
- J. Carrier tube bolt, 2 × M8x50 Allen
- K. Spring, 2 ×
- L. Strap
- M. Stowage hook
- N. Screw, 2 × M5x12
- O. Spring washer, 2 × M5
- P. Washer, 2 × M5
- Q. Cover caps, 2 ×

Contents

Overview	2
Pack contents/product parts	6
Before installation	7
Installation	7
Mounting the stowage hook	7
Install the stowage frame	7
Install the spring bolt and carrier tube	7
Mounting the ladder	8
Mounting the loft ladder	8
Mounting the spring	9
Opening the ladder	9
Closing the ladder	10

Before installation

The telescopic loft ladder is perfectly safe when correctly installed and will support a weight of up to 150 Kgs. Please observe the following safety procedures:

- Do not attempt to climb your loft ladder until installation is complete.
- Use a second ladder to gain access to the loft while carrying out the work. Ensure that this is stable.
- During installation and operation, follow all instructions step by step to ensure your safety and optimum performance of the loft ladder.
- When installation is complete, before using the ladder make sure that it is pulled fully down and both feet are resting firmly on the floor and that the locking mechanism is properly engaged. Observe the instructions for the optimum safe working angle.
- Observe normal safety precautions when working in the loft space. Place weight only on the main ceiling joists. Do not drill above head height. Avoid contact with electrical wiring.
- Ensure someone else is on the premises and knows where you are in case of an accident.

- Do not modify any component supplied with this product or substitute any loft ladder component with anything other than genuine replacement parts.

Installation

Mounting the stowage hook

(See **Fig. 1**).

1. Place the stowage hook (**M**) in position on the rear side of the bottom rung and align their holes.
2. Fasten the screws (**N**) together with the spring washer (**O**) and washer (**P**) tightly.

Install the stowage frame

(See **Fig. 2**).

1. Place one of the stowage frame tube (**E**) in position on the Mounting bracket (**B1, B2**) shorter swivel arm and align their holes.
2. From the outer edge, guide the bolt (**F**) through mounting holes.
3. Fasten the bolts with the nuts.
4. Repeat this procedure to fix the other stowage frame tube (**E**).

Install the spring bolt and carrier tube

(See **Fig. 2**).

Prior to fitting, measure and make note of the ceiling height "H" where you will be installing your loft ladder. Use **Table 1** to identify the

configuration that is required for your floor to ceiling height and ensure you have sufficient clearance Hatch length "L" and Hatch width "W" for the ladder to be installed in the loft hatch.

1. From the outer edge, guide the bracket spring bolt **(D)** through mounting holes according to the configuration (see **Table 1**).
2. Fasten the bolts with the nuts tightly.
3. Slide the carrier tube **(H)** into both stowage frame tube **(E)**.
4. Adjust the position to make the holes of the stowage frame tube **(E)** and carrier tube **(H)** align.
5. Guide the frame tube spring bolt **(I)** and carrier tube bolt **(J)** through mounting holes according to the configuration and fasten the bolts tightly.

Mounting the ladder

(See **Fig. 3, 4 & 5**).

Prior to fitting, measure and make note of the ceiling height "H" where you will be installing your loft ladder. Use **Table 1** to identify the configuration that is required for your floor to ceiling height and ensure you have sufficient clearance Hatch length "L" and Hatch width "W" for the ladder to be installed in the loft hatch.

1. Slide the safety lock towards the center of the rung using a screwdriver (see **Fig. 5**).
2. Adjust the other end of the tube into the corresponding length
3. Remove the screwdriver. Make sure that the safety lock snaps back into the correct position and secure the whole thing by means of a lock placing the supplied cover caps **(Q)**.
4. Place the both tubes in position on the mounting bracket **(B1, B2)** longer swivel arm and align their holes.
5. From the outer edge, guide the bolt **(G)** through mounting holes.
6. Fasten the bolts with the nuts tightly.
7. Repeat this procedure to fix the other side of the tube.

Mounting the loft ladder

(See **Fig. 6**).

1. Place the ladder on a firm level surface. Stabilize the ladder with one foot placed on the lowest rung.
2. Open the ladder from the top by gripping the top rung with both hands. Extend the top section fully, then the next section fully. At the same time check that both locking levers are in its locked position (See **Fig. 12 & Fig. 13**).

3. Continue opening section by section, until the ladder is opened to its full length.
4. Put the ladder on the mounting position. Place the mount brackets **(B1, B2)** against the ceiling joist (See **Fig. 6**).
5. Adjust the position to make sure the ladder is located on the middle position of the hatch.
6. Mark the centre point of all bracket holes.
7. Remove the ladder and drill 4 mm diameter holes at the positions just marked.
8. Put the ladder back and fix the brackets using the fixing screws **(C)** (See **Fig. 6**).

⚠ WARNING!

The ladder can fall over during the mounting. It can lead to damage to property or injury to persons. If necessary, get assistance from a second person for assembly

⚠ WARNING!

Do not attempt to climb your loft ladder until installation is complete. (See **Fig. 8**).

Use a second ladder to gain access to the loft while carrying out the work. Ensure that this is stable.

Mounting the spring

(See **Fig. 7**)

There is groove at each end of the frame tube spring bolt **(I)** to hold the spring in place when installed:

1. Place the springs **(K)** in spring bolt grooves.
2. Extend the spring so that the free end of the spring can reach the spring bolt and place the spring into the groove.
3. Repeat for the other spring.

⚠ WARNING!

Be very careful when mounting the spring, as there is not stop to prevent the frame from swinging forward with considerable force if it is moved inadvertently. It can lead to damage or injury to persons.

Opening the ladder

To open the telescopic loft ladder, proceed as follows:

1. Hold the strap at the carrier tube and pull it downwards (**Fig. 9**), the spring will swivel the ladder to vertical position (**Fig. 10**).
2. Grip the bottom stiles of the ladder, push up to un-hook the ladder stowage hook on the rear of rung from the carrier tube (**Fig. 11**).

3. Pull down the ladder by gripping the ladder stile with both hands. Extend the sections fully before touching the floor. At the same time check both locking levers are in its locked position **(Fig. 12)**.
4. Continue opening section by section, until the ladder is extended to its full length **(Fig. 13)**.
5. Grip the bottom stiles and lift up the ladder, place the stowage hook located on the rear of the rung onto the carrier tube **(Fig. 16)**.
6. Raise the ladder and then the springs will pull the ladder to a horizontal position, hold the belt to make it return back gently **(Fig. 17)**.

⚠ WARNING!

Check carefully that each locking lever be in its locked position.

Closing the ladder

To close the telescopic loft ladder, proceed as follows:

1. Clean the ladder if required.
2. Release the sliding safety locks at the bottom **(Fig. 14)**.
3. Grip the lower stiles and push up **(Fig. 15)**. Unlock and close the remaining rung sections automatically starting from the bottom and moving upwards one section at a time.
4. Unlock and close all rungs in the same way.

⚠ WARNING!

To avoid the risk of getting your hands trapped, do not put on or between the rungs while closing the ladder.