

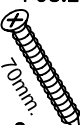
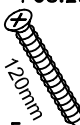


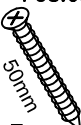
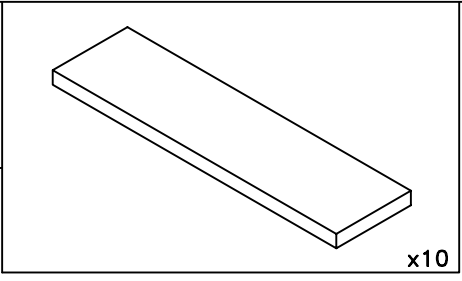
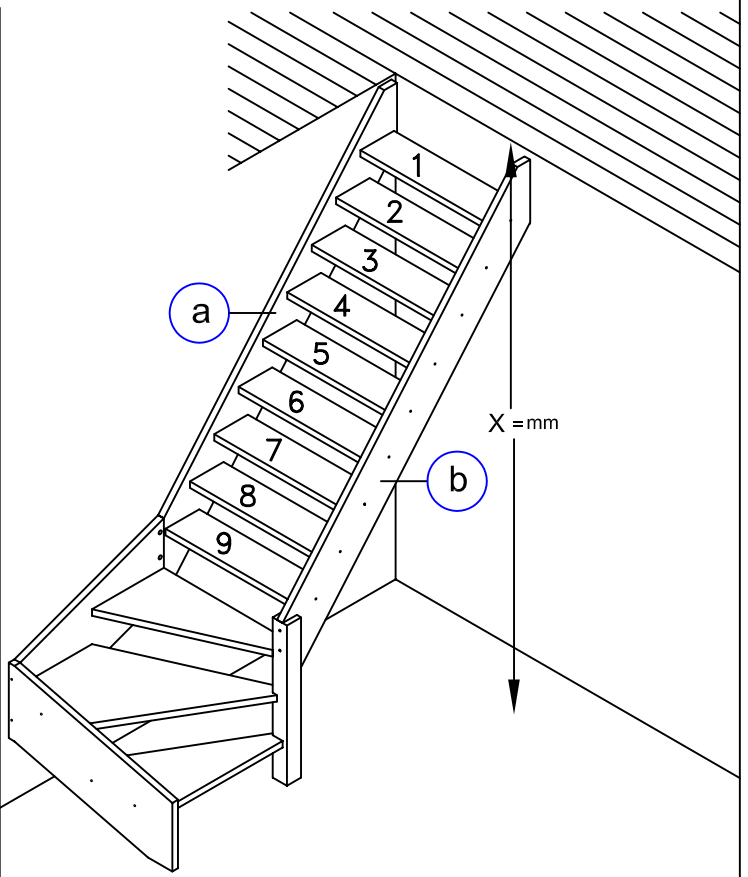
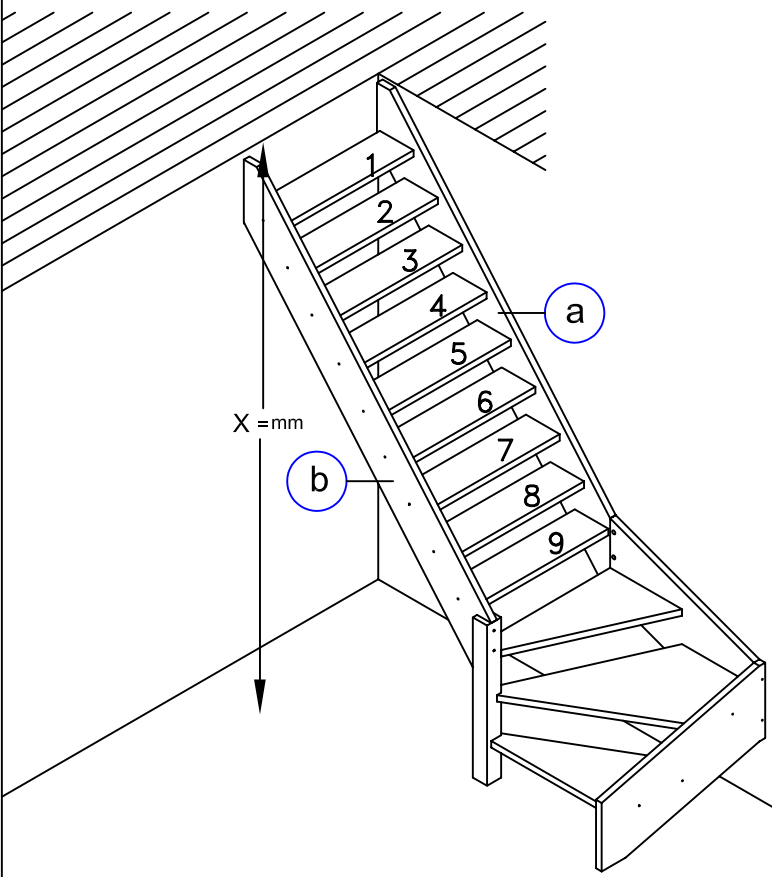
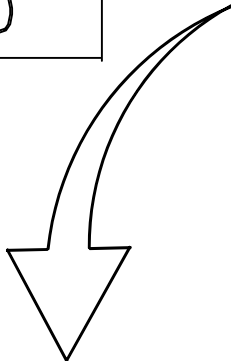
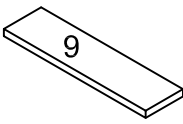
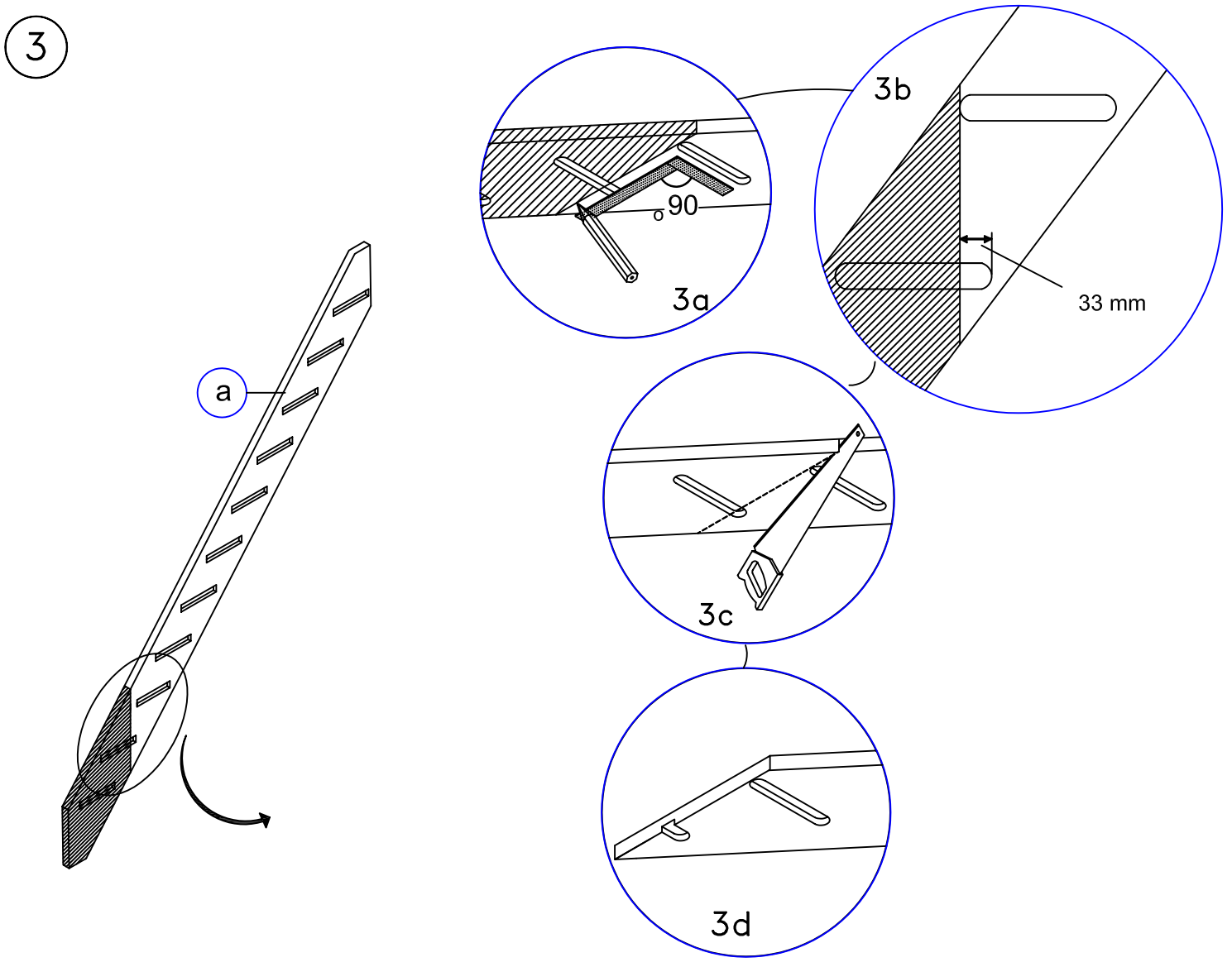
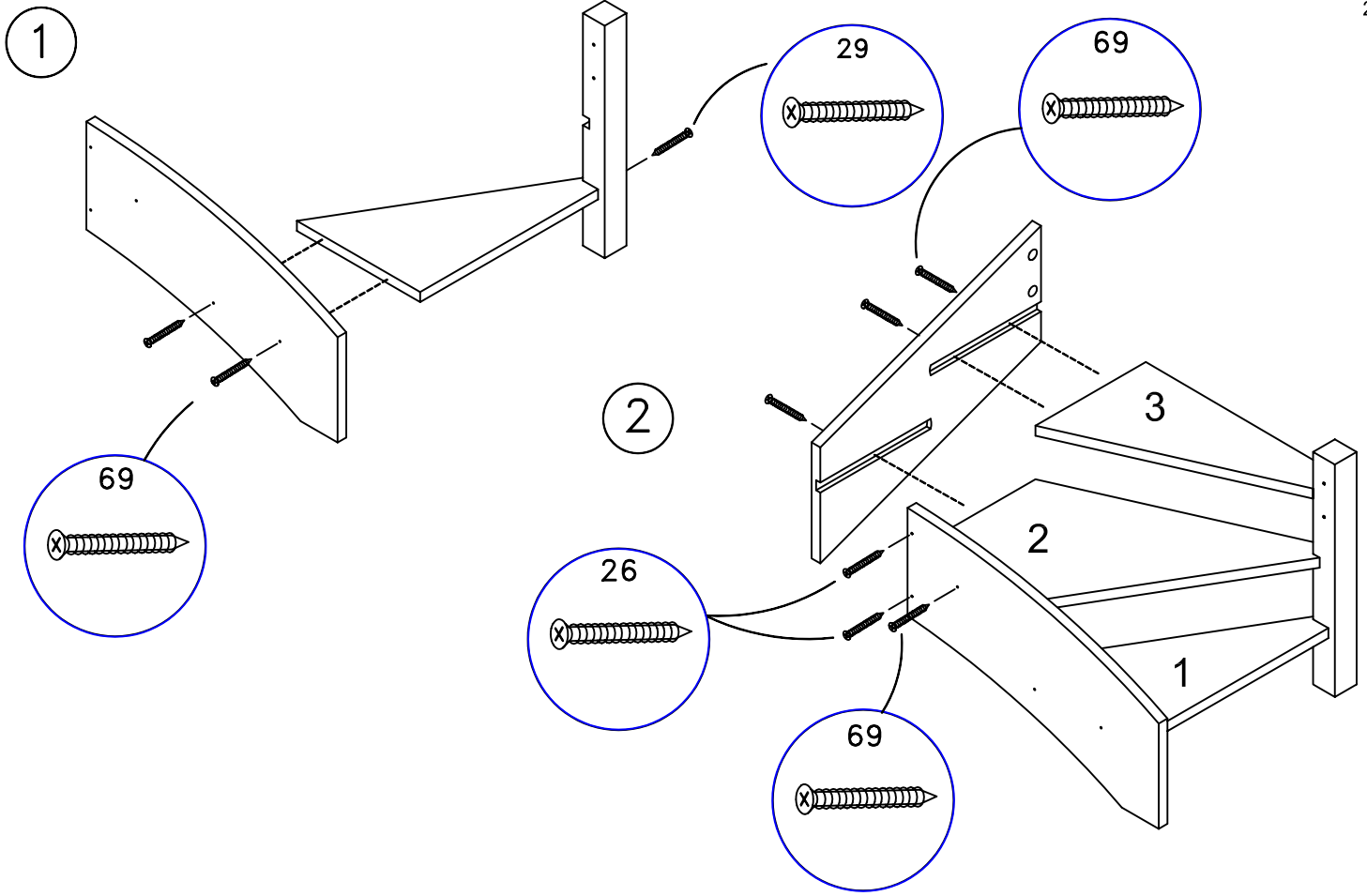


- POS.3  x2
- POS.4  x2
- POS.26  70mm x2
- POS.29  120mm x5
- POS.37  x2
- POS.67  x4
- POS.69  50mm x7

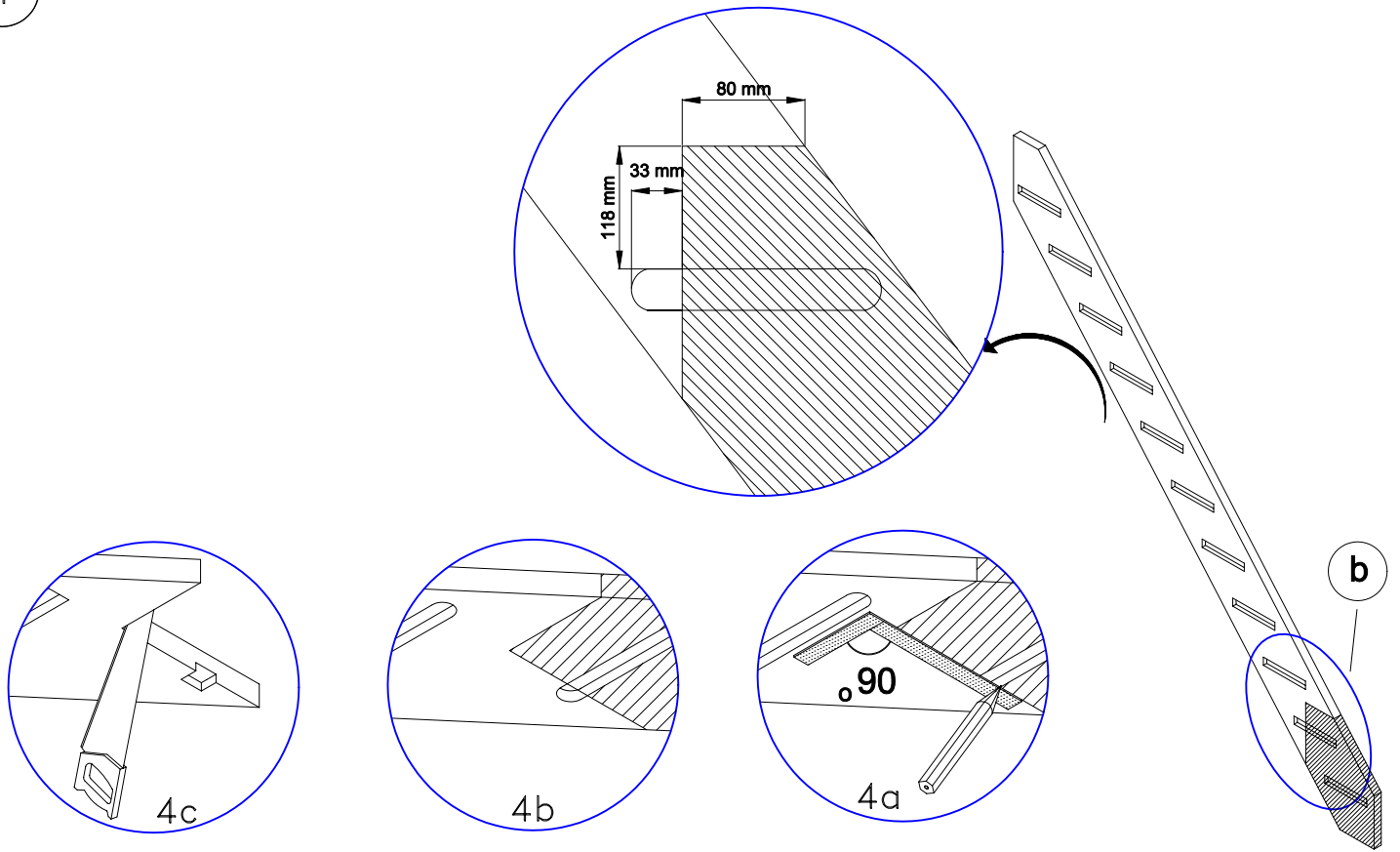


$X = \text{mm}$		
1896	–	2104
2104	–	2312
2312	–	2520
2520	–	2728
2728	–	2936

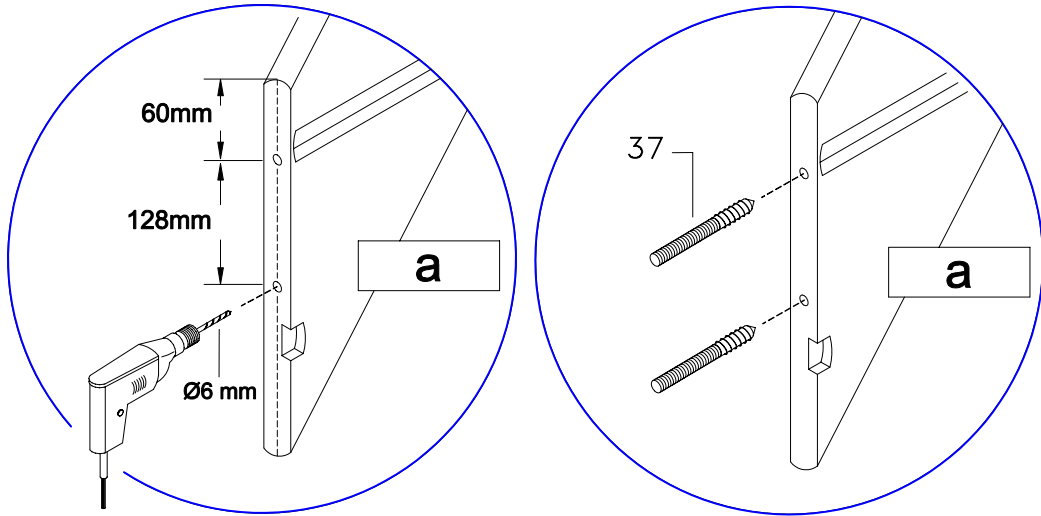




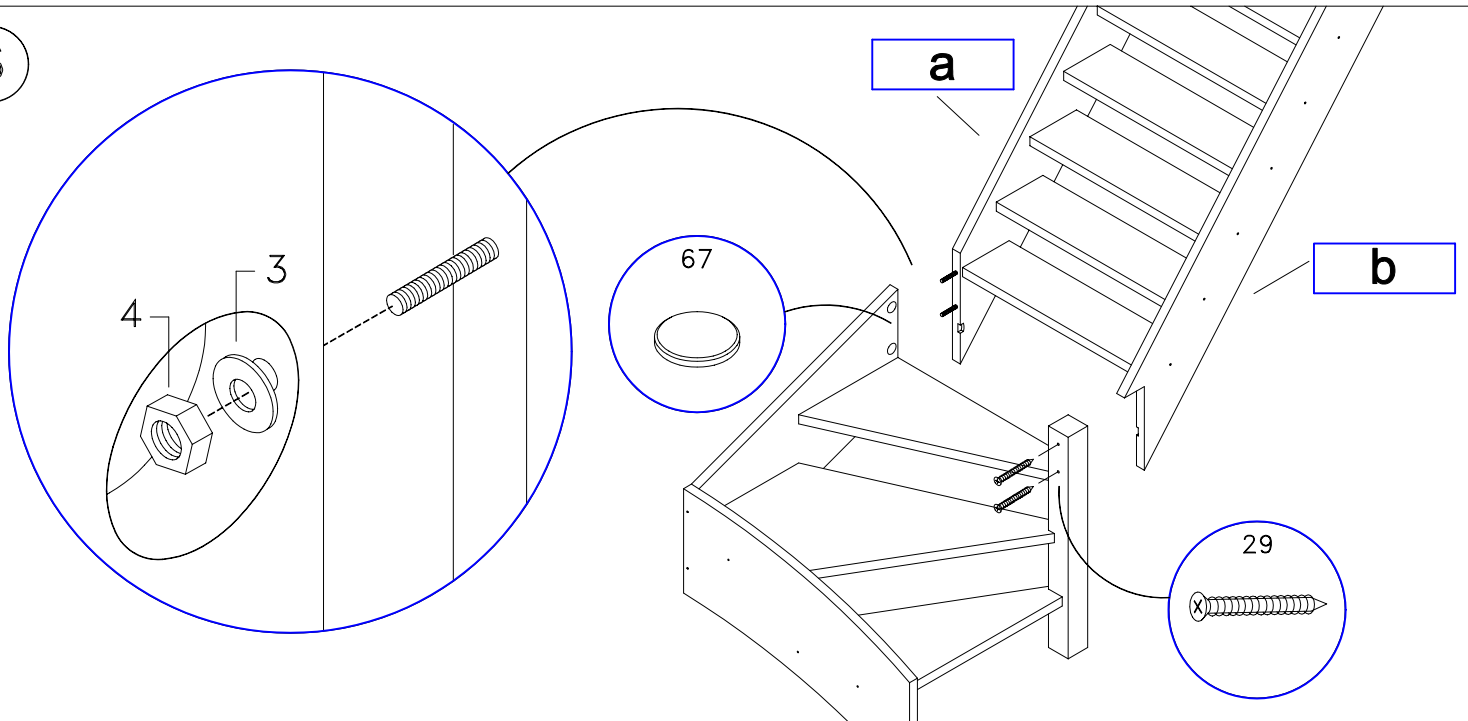
4



5



6



7

