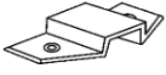
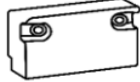


Ladder Components

1 x Catch Plate



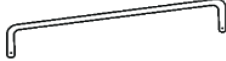
2 x Side Stop



4 x Handrail Bracket Support



2 x Handrails



1 x Operating Pole



Screws

8 x (A)



10 x (B)



8 x (C)



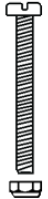
8 x (D)



6 x (E)

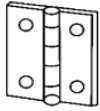


4 x (F)



Pull Down Hatch Components

2 x Hinges



1 x Pull Down Bracket



1 x Location Bracket



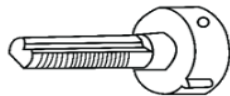
1 x Catch



1 x M12 Nut



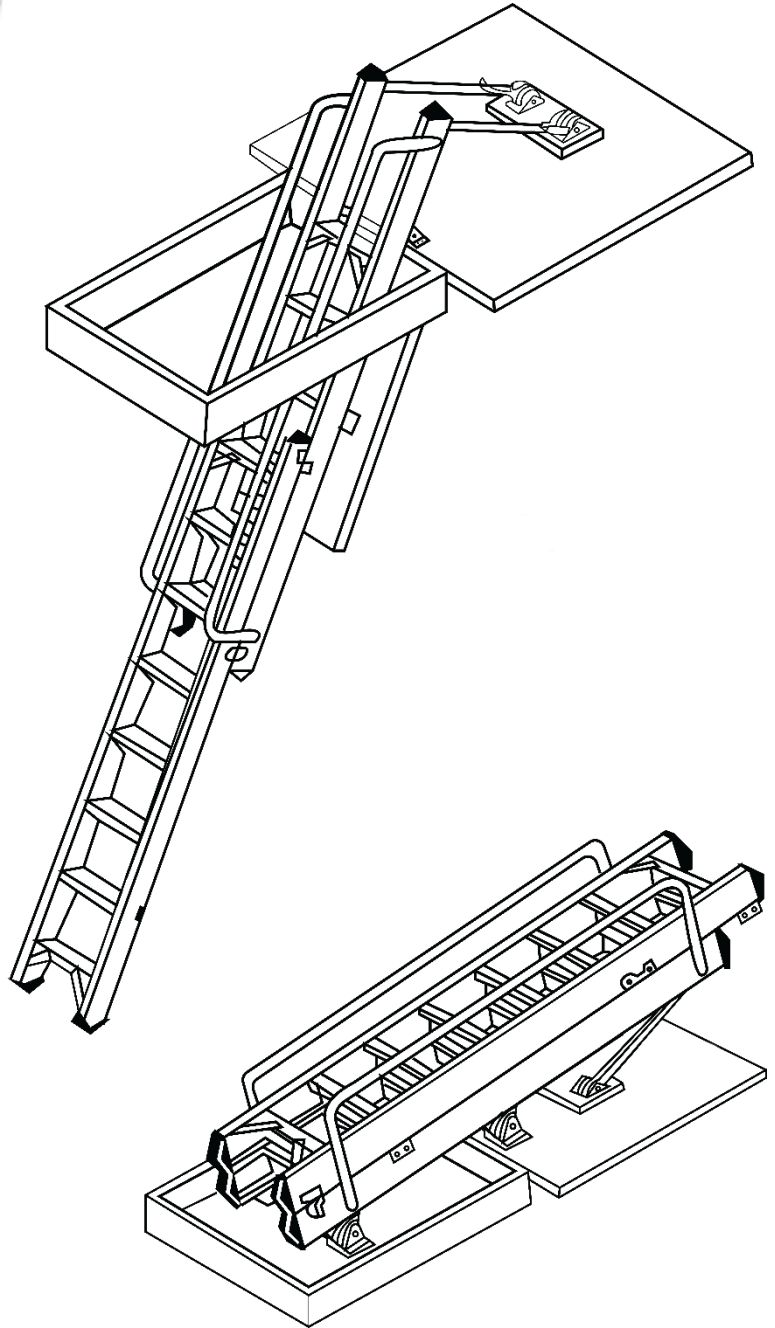
1 x Catch Barrel



1 x Retaining Washer



3 x Screws



Safety Notices

1. Do not attempt to use the loft ladder until it has been properly installed and the instructions say you can do so.
2. Make sure you use a suitable ladder to gain access to the loft for the installation. Do not use the loft ladder as a means of accessing the loft space until the instructions say it is safe to do so.
3. We recommend the installation is completed by two people.
4. Read instructions carefully and in full, before starting installation.
5. If you are unsure on how to fit the loft ladder, seek professional advice.

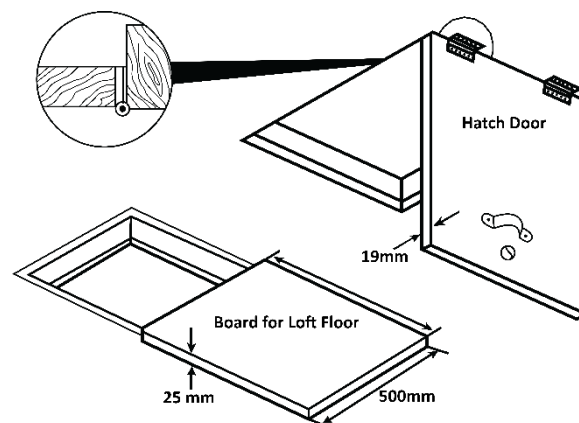
Loft Preparation

There are some minimum requirements that need to be met to install this ladder safely.

Loft Floor – Must be 25mm thick plywood. **Chipboard will NOT suffice**

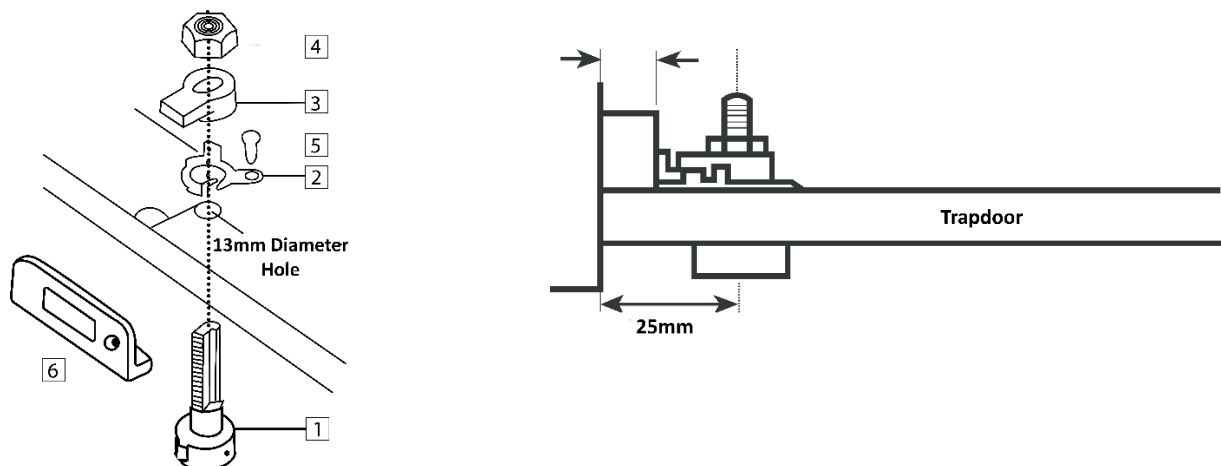
Hatch Door – Must be minimum thickness of 19mm and hinges to swing vertically down as shown.

Hatch Opening – Minimum of 686 x 508mm.



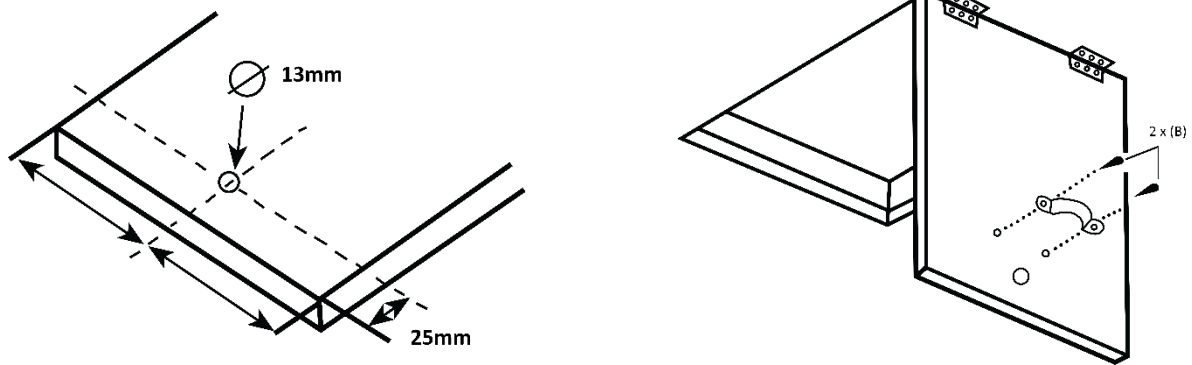
Fitting Catch Kit

Using 1 screw, fit retaining washer to back of door. With the 2 remaining screws, fit the location bracket



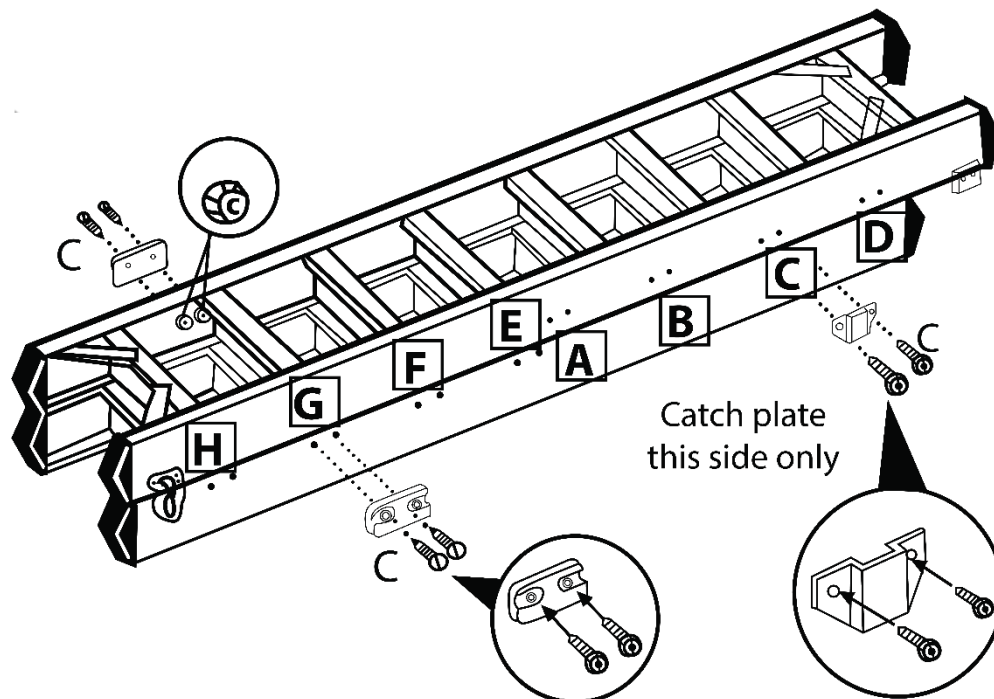
Drilling Loft Hatch Door

Drill a hole, 13mm in diameter to allow for catch assembly. Using 2 screws (B), fix pull down bracket to underside of door



Fitting the Side Stops and Catch Plate

Measure the floor to loft floor height. Check the table below to determine the correct positions for the safety catch and side stops. Using 6 nuts and bolts (C), fit catch plate and side stops as shown. Ensure the side stops only project slightly beyond the edge of the ladder section.

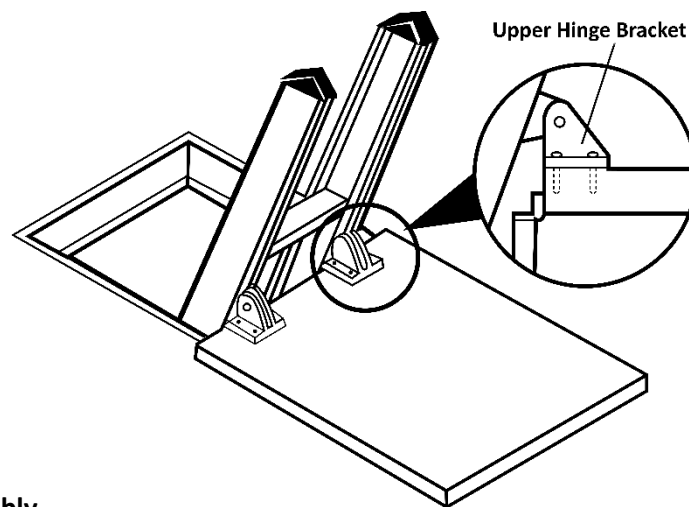


<u>Floor-to-floor Height Range</u>	<u>Side Stop Position</u>	<u>Catch Plate Position</u>
2310mm – 2545mm	E	A
2545mm – 2780mm	F	B
2780mm – 3015mm	G	C
3015mm – 3250mm	H	D

Securing the Loft Ladder

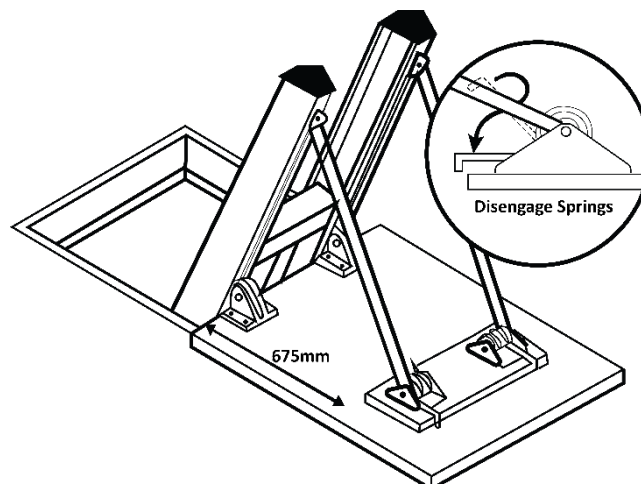
We recommend that from this point on, two people are present to assist in fitting the ladder – one at ground level and one in the loft.

Remove the spring arm mechanism, which is attached to the top of the ladder, by unscrewing the two bolts attaching it. Set this to one side to be re fitted later. Using a separate and suitable ladder, one person should climb through the opening and position themselves in the loft, ready to fit. Extend the ladder fully, making sure the catch plate locates fully with the locking pin. Stand the ladder up in the hatch space, ensuring it is centrally positioned. Slide the upper hinges up the back of the ladder until they rest on the loft floor and are flush with the edge of the hatch. Mark the hole positions and using 8 screws (D), fix the hinge brackets to the loft floor.



Fitting Spring Assembly

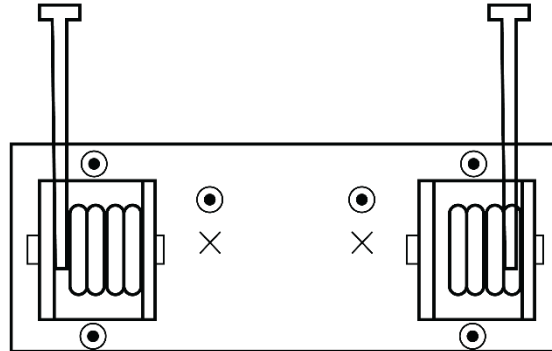
Refit the spring arm mechanism to the top of the ladder, using the same bolt, nut and washers and ensure it is sufficiently tightened. Disengage the springs on both sides by lifting the hook of the spring and moving it to the inside of the arms – this should then simply lie flat. Once completed, the board should offer no resistance.



Position the closest edge of the spring assembly board 675mm away from the edge of the loft hatch and carefully mark its position. Please ensure it aligns, and is centred, with the edge of the hatch.

Drill 2mm pilot holes and, using 6 screws (E), fix the board to the loft floor. See picture on recommended screw positions on the board.

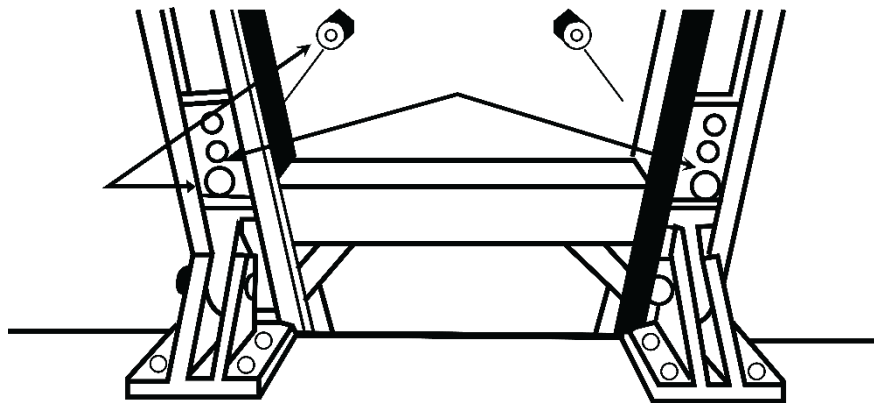
Note: All 6 screws (E) MUST be fitted for a secure fixing.



Fixing Adjustable Stops

Check the ladder is resting firmly on the landing floor. Slide the 2 black plastic, adjustable stops down the back of the ladder until they are resting on top of the upper hinge brackets. Using the nearest hole positions in the stops and the ladder, secure the stops using 2 bolts and nuts (C). Count the hole positions to make sure they are both fitted at the same level.

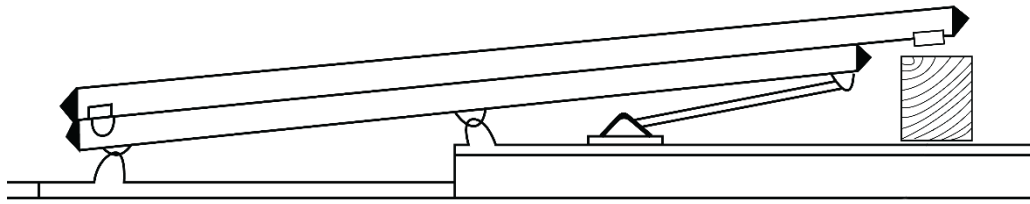
Note: The ladder can now safely be used to gain access to the loft space.



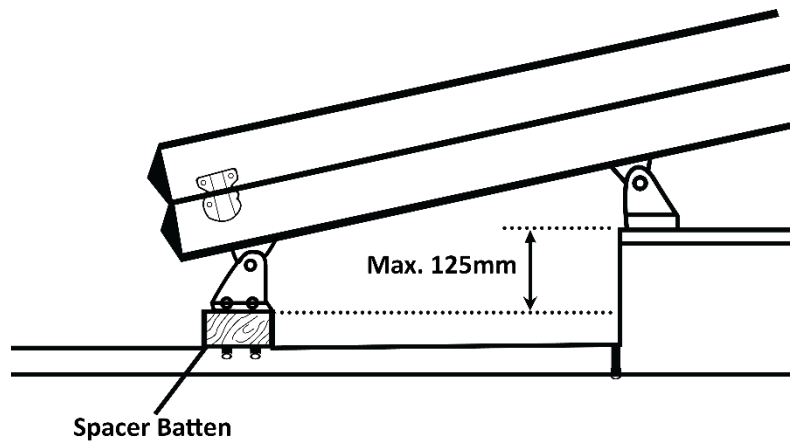
Fitting Door Brackets

Unlock the side of the ladder and slide the top section back up until it reengages with the catch plate on the upper section. Once this is done, push the loft ladder up into the loft space and rest on loft floor. The person on the landing should temporarily shut and lock the hatch door. From inside the loft, position the lower hinge brackets so they are resting on the inside of the hatch door.

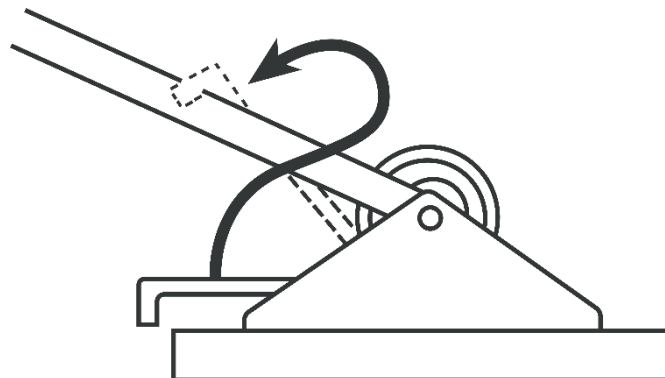
Once completed, using a block of wood (or something similar to hold the weight of the ladder at the other end, mark the position of the fixing holes for the lower hinge brackets on the back of the hatch door.



The maximum depth from loft floor to the back of the hatch is 125mm. If the gap is over 125mm, a spacer batten should be fitted to reduce the depth to below the maximum.

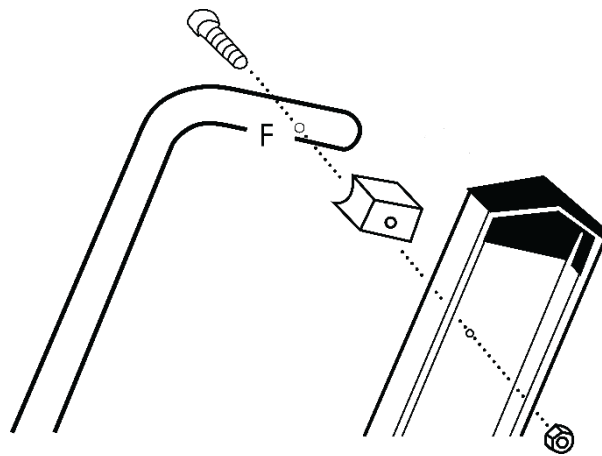


Remove the block of wood the ladder is resting on and open the hatch door. Reengage the springs on the pivot arms by lifting the hook back over to the outside of the arms. Pull down the ladder from the loft until the upper hinge bracket rests against the adjustable stops. Unlock the ladder section and pull down to the round, until the locking pin engages with the catch plate and the ladder is resting firmly on the floor. Drill 2mm pilot holes where you marked out the lower hinges brackets and use 8 screws (B) to secure these brackets to the hatch door.



Fitting the Handrails

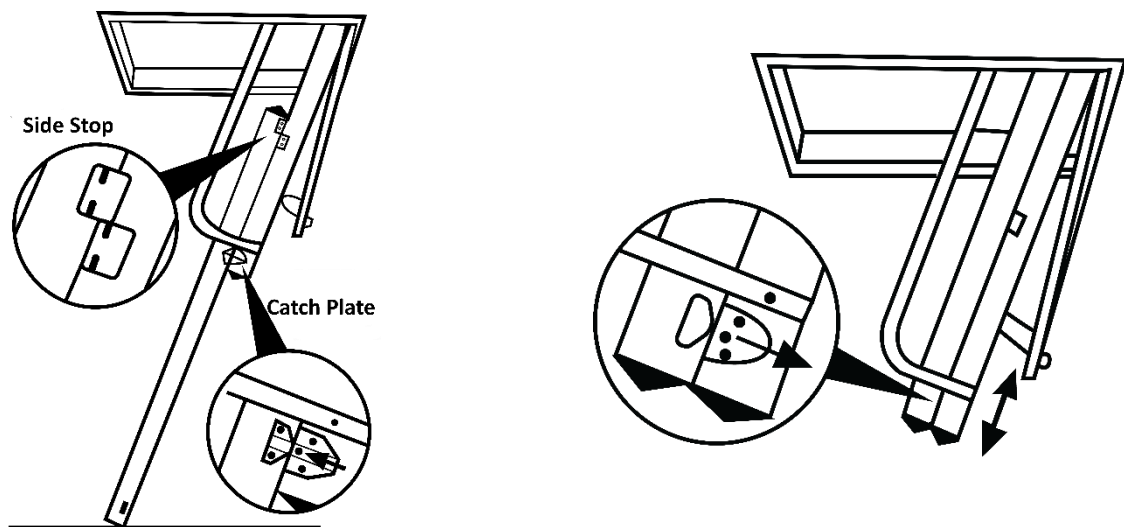
Using the bolts (F) and nuts supplied, position the handrail into the handrail support bracket and fit to the outside of the ladder. Ensure bolts are sufficiently tightened.



Operating the Ladder

Installation of the ladder is now complete.

To close the ladder, release the locking pin and slide section up until the pin locks in place with the catch plate. Position the end of the operating pole in the catch barrel and push the door upwards. Once door is full up, you can turn the operating pole to lock the hatch.



To open the ladder, do the above in reverse order. Engage the catch barrel and turn, using the operating pole to open. Following this, hook the operating pole around the pull-down bracket and pull the door down until it is fully open. Release the locking pin and slide the section down to the ground, ensuring the pin reengages with the catch plate.

Note: Ensure locking pin is fully engaged and ladder sits firmly on the ground before climbing.



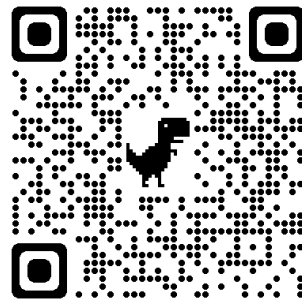
ACCESS SOLUTIONS

Tel: 0333 006 9776

Email: customerservices@bpsaccesssolutions.co.uk

Web: www.laddersandscaffoldtowers.co.uk

Scan the QR code below with your smartphone for easy access to our website.



Address:

Unit 8 – Highams Hill Farm

Sheepbarn Lane

Warlingham

Surrey

CR6 9PQ